

PARTS LIST

Orbiter hit n' spin

Tornado International Limited
Unit 28
Green Lane Industrial Estate
Second Avenue
Bordesley Green
Birmingham B9 5QP England

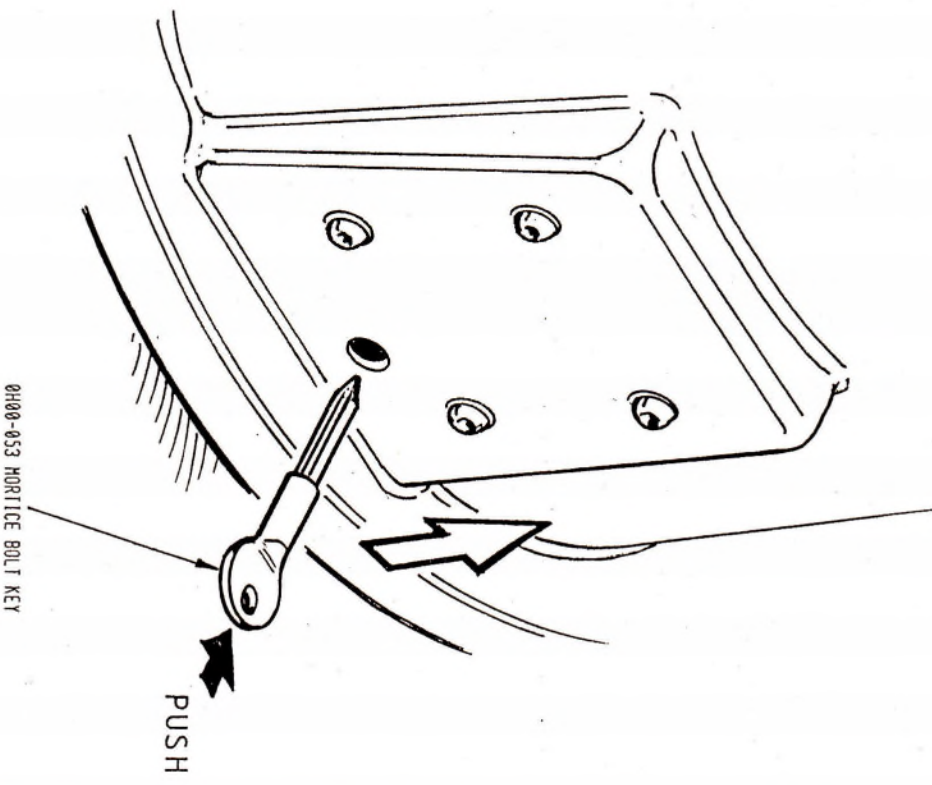
Tel.UK:0121-773 1827
Tel.Int'l:+44 21 773 1827

FAX: 0121-772 6056

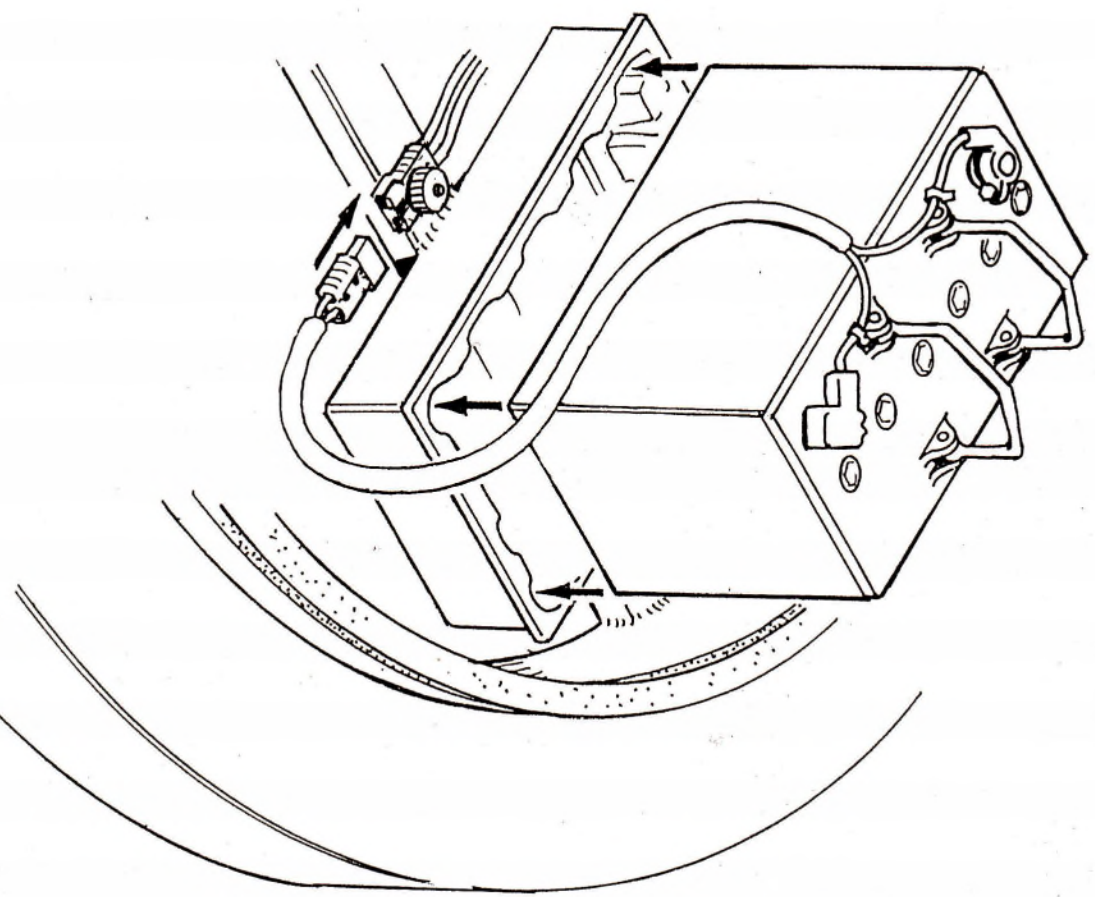
CE

M

TO RELEASE ORBITER BODY CATCH



FITTING ORBITER BATTERIES



HIT N' SPIN

Note: The information contained in this publication is correct at the time of printing, but owing to the continuing development of the products, changes in the specification may be inevitable. The manufacturer reserves the right to implement such changes without prior notice.

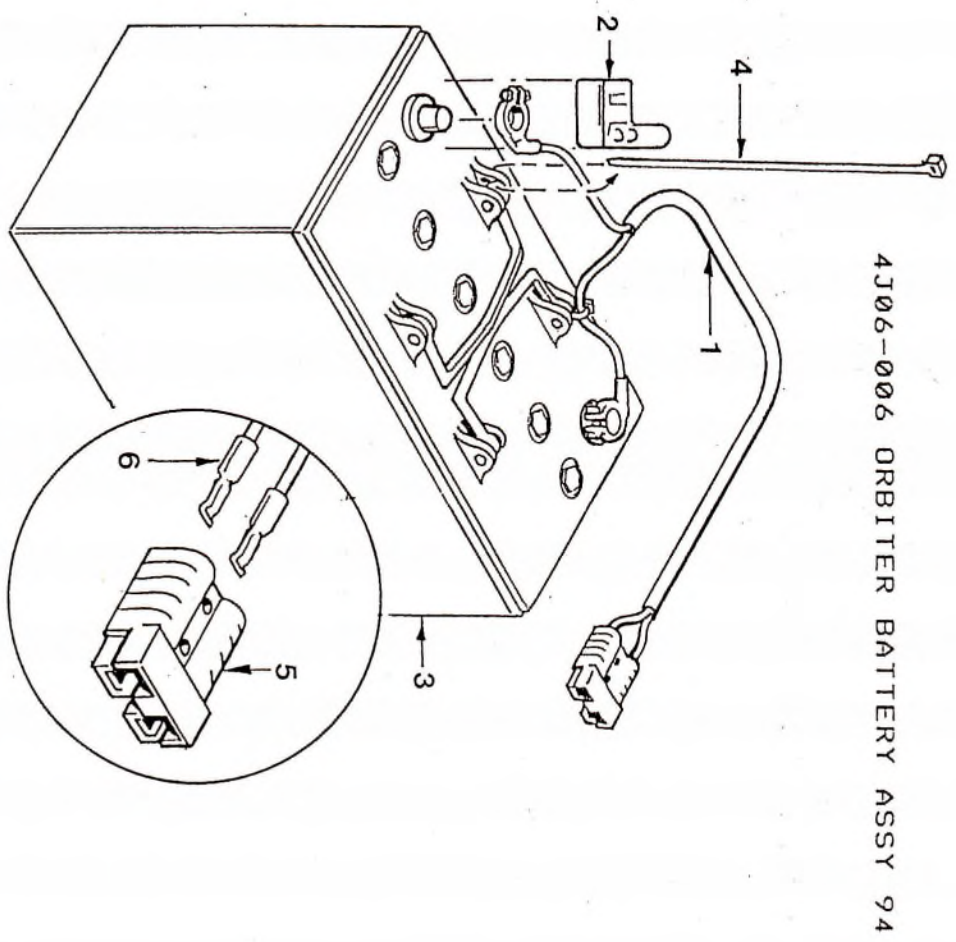
1 TO RELEASE ORBITER BODY CATCH • FITTING ORBITER BATTERIES



TORNADO

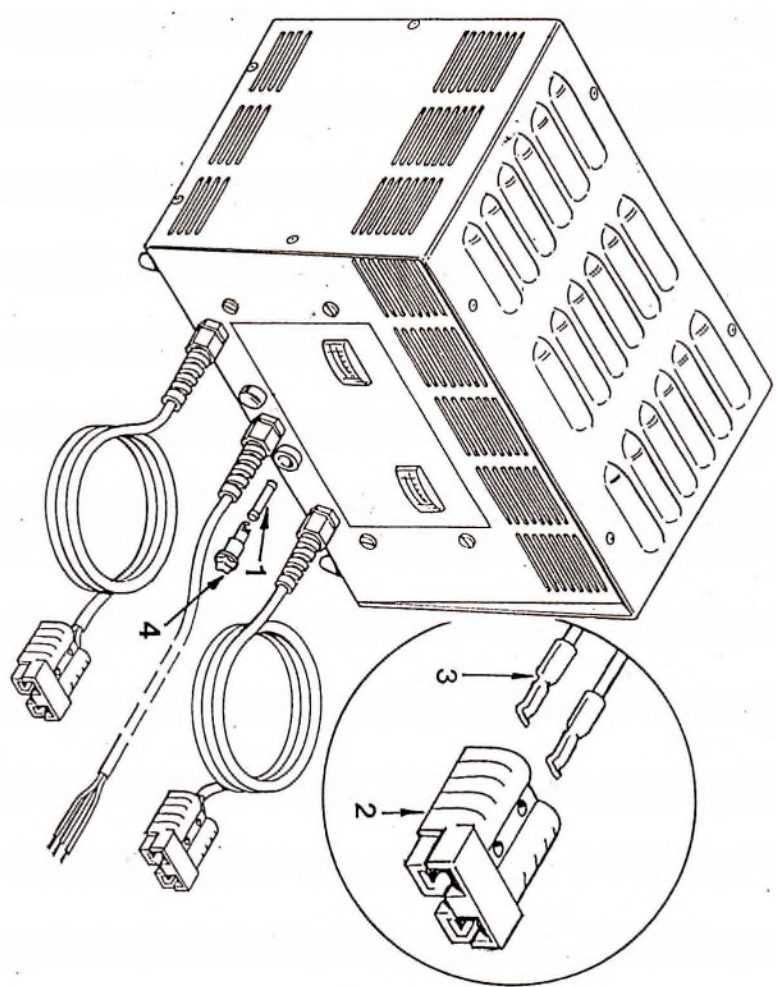
Item No. Part No. Description

- 1 2J06-005 OR BATTERY LOOM S/ASSY
- 2 1V06-042 OR BATTERY TERMINAL COVER BLK
- 3 0B00-085 BATTERY 12V 80A SL90(A200)
- 4 0E00-886 CABLE TIE 300 X 4.8MM BLACK
- 5 0K01-020 CONNECTOR 2P 50A C/W CONT-GREY
- 6 0K01-175 CONTACT P'POLE 5.3MM 60A-STD



Item No. Part No. Description

- 1 { 0E00-197 FUSE 1 1/4" 10A Q/B C (100-110V)
0E00-195 FUSE 1 1/4" 5A Q/B C (220-240V)
- 2 0K01-024 CONNECTOR 2P 50A C/W CONT - BLACK
- 3 0K01-175 CONTACT P'POLE 5.3MM 60A-STD
- 4 0E00-124 FUSE TOP



- 8J01-020 CHARGER AQUAB/ORBITER 100/110V
- 8J01-030 CHARGER AQUAB/ORBITER 220/240V

HIT N' SPIN

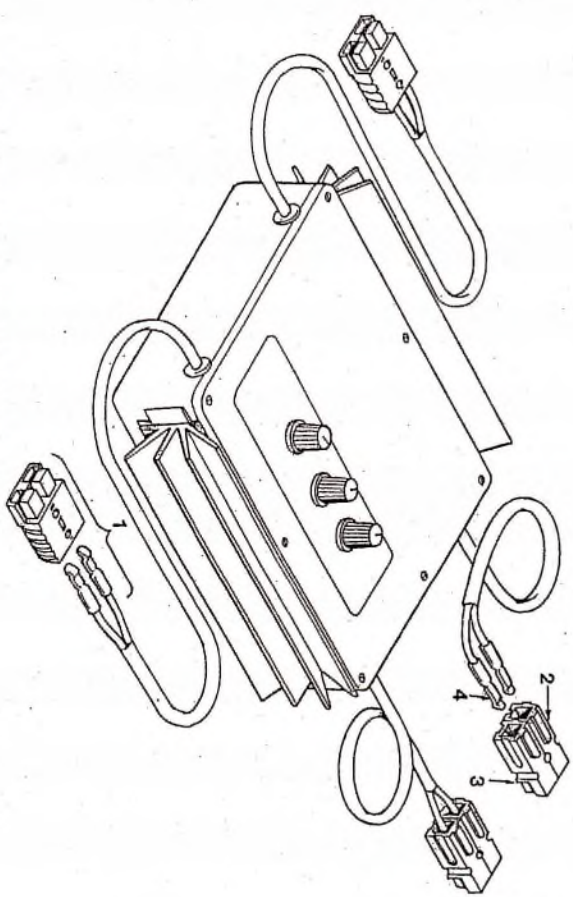
Note: The information contained in this publication is correct at the time of printing, but owing to the continuing development of the products, changes in the specification may be inevitable. The manufacturer reserves the right to implement such changes without prior notice.

2 BATTERY · CHARGER



Item No. Part No. Description

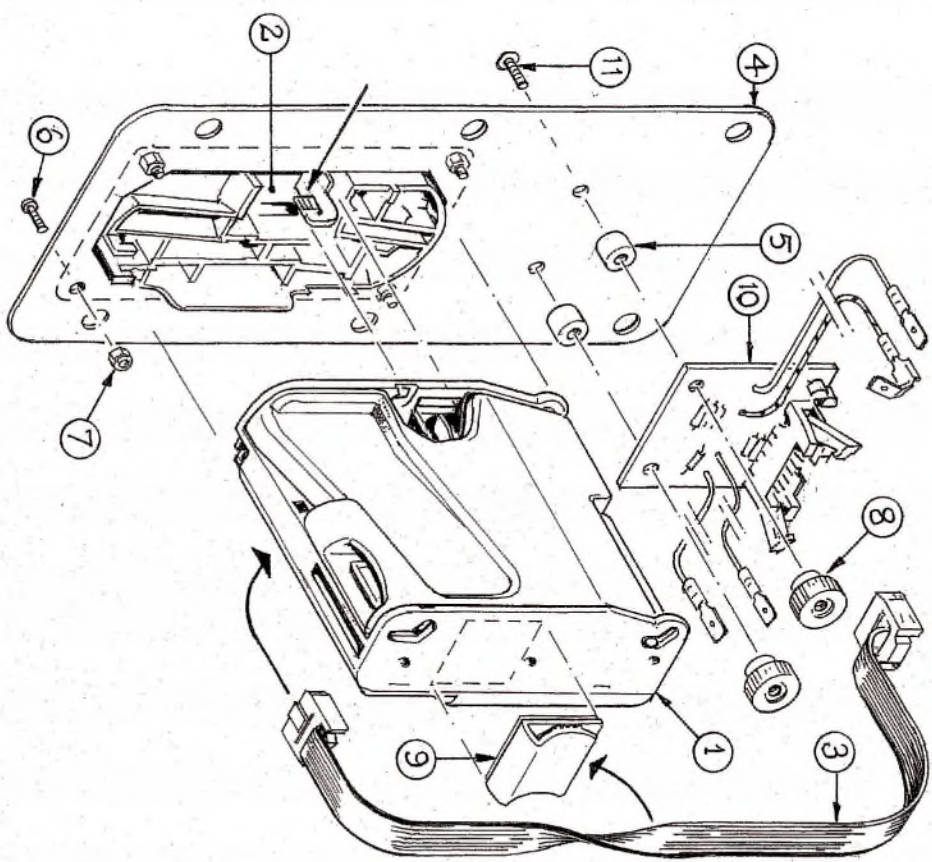
- 1 OK01-020 CONNECTOR 2P 50A C/W CONT - GREY
- 2 OK01-165 CONNECTOR P'POLE 60A HOUSING - RED
- 3 OK01-166 CONNECTOR P'POLE 60A HOUSING - BLK
- 4 OK01-175 CONTACT P'POLE 5-3MM 60A-STD



6J06-011 ORBITER ELECTRONICS SASSY 94

Item No. Part No. Description

- 1 0A01-009 SP MICROCOIN MULTI COIN ACCEPTOR
- 2 0A01-025 SP MICROCOIN FACEPLATE 115 VER:3
- 3 0A01-024 SP COIN MECH LEAD 10 WAY 200mm
- 4 1H06-144 ORBITER SP/115 MULTI-MECH FACE PLATE
- 5 1H00-351 SPACER NYLON TAPPED M5 6.35X12.7MM
- 6 0F00-445 SCREW MAX12MM TAMPERPROOF SKT BTN/HD S/S
- 7 0F00-405 NUT M4 NYLOC
- 8 0F00-506 NUT M5 THUMB NYLON KN
- 9 0F07-282 RIBBON CABLE CLAMP S/A 25X25.4mm
- 10 2J06-004 ORB H/MECH INTERFACE PCB ASSY (NON R/M)
- 11 0F00-593 N SCREW M5X12MM TAMPERPROOF



HIT N' SPIN

Note: The information contained in this publication is correct at the time of printing, but owing to the continuing development of the products, changes in the specification may be inevitable. The manufacturer reserves the right to implement such changes without prior notice.

3 ELECTRONICS · COIN MECHANISM

FOR RIDEMASTER PARTS SEE SHEETS 10 & 11

TORNADO

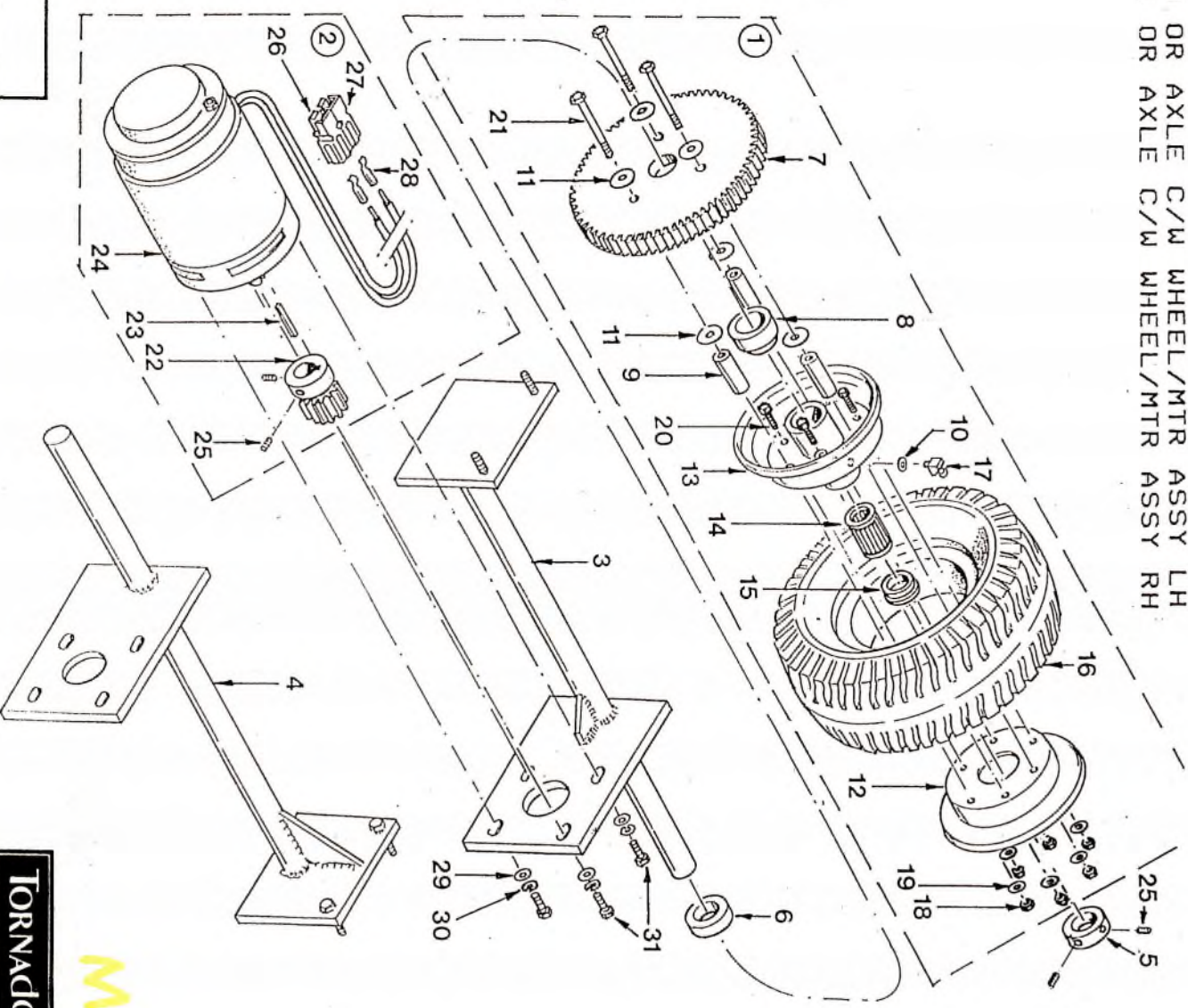
FEB '05

Item No. Part No. Description

1	2J06-010	OR WHEEL/DRIVEN GEAR COMP
2	2J06-011	OR MOTOR AND PINION ASSY
3	2H06-010	ORBITER AXLE LH C/W MTR PLATE
4	2H06-011	ORBITER AXLE RH C/W MTR PLATE
5	1H06-014	ORBITER AXLE COLLAR
6	1H06-013	ORBITER AXLE SPT COLLAR
7	1H06-007	ORBITER DRIVEN GEAR
8	1H06-015	OR BEARING END CAP/SPACER
9	1H06-016	OR DRIVEN GEAR SPACER
10	1H06-017	OR GREASE NIPPLE SPACER
11	1H06-018	OR DRIVEN GEAR SPACER WASHER
12	0H06-006	OR WHEEL (SEE 0H06-007)
13	0H06-007	OR WHEEL C/W HUB
14	0H06-008	OR WHEEL ROLLER BEARING
15	0H06-009	OR BEARING END CAP BLACK 1"
16	0H06-010	TYRE 300x4 2.1 ORBITER
17	0H06-017	OR GREASE NIPPLE
18	0F00-605	NUT M6 NYLOC
19	0F00-609	WASHER M6B PLATED STEEL
20	0F00-684	M SCREW M6x25 HEX/HD S/S
21	0F00-682	M SCREW M6x80 HEX/HD STL ZP
22	1H06-005	OR MOTOR PINION S/S
23	1H06-006	OR MOTOR/PINION KEY 3/16 SQ.
24	0M06-022	MOTOR 24VDC M62440T 150W. 04/94
25	0F00-841	SKT SET SCREW M8x8
26	0K01-165	CONNECTR P'POLE 60A HOUSNG-RED
27	0K01-166	CONNECTR P'POLE 60A HOUSNG-BLK
28	0K01-175	CONTACT P'POLE 5.3MM 60A-STD
29	0F00-809	WASHER M8B PLATED STEEL
30	0F00-811	WASHER M8 SINGLE COIL SQ SECT
31	0F00-872	M SCREW M8 X 20 HEX/HD PLATED STEEL

3J06-010 OR AXLE C/W WHEEL/MTR ASSY LH
 3J06-011 OR AXLE C/W WHEEL/MTR ASSY RH

HIT N' SPIN



Note: The information contained in this publication is correct at the time of printing, but owing to the continuing development of the products, changes in the specification may be inevitable. The manufacturer reserves the right to implement such changes without prior notice.

4 MOTOR/DRIVE WHEEL

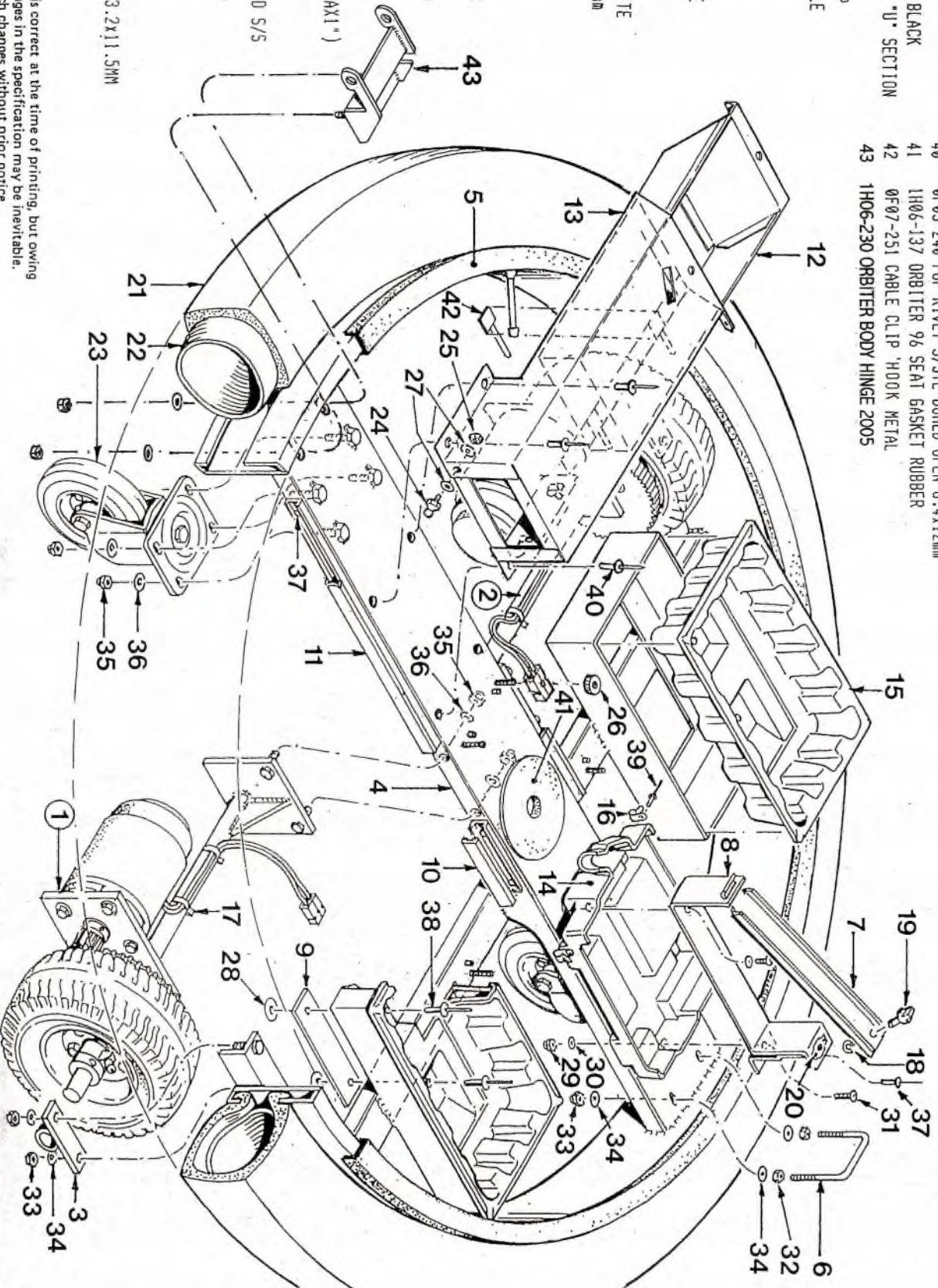


Item No. Part No. Description

- 1 3J06-010 OR AXLE C/W WHEEL/MTR ASSY LH
- 2 3J06-011 OR AXLE C/W WHEEL/MTR ASSY RH
- 3 2H06-012 OR AXLE SUPPORT
- 4 1H06-220 ORBITER 96 CHASSIS FRAME BLACK
- 5 1H06-022 OR CHASSIS GASKET RUBBER "U" SECTION
- 6 1H06-026 ORBITER LATCH BAR
- 7 1H06-040 ORBITER CONTROL BOX STRAP
- 8 1H06-041 ORBITER CONTROL BOX CRADLE
- 9 1H06-042 OR BATTERY CRADLE STRAP
- 10 1H06-058 OR LOOM TRUNKING SHORT
- 11 1H06-059 OR LOOM TRUNKING LONG
- 12 1H06-132 ORBITER 96 CASH BOX
- 13 1H06-133 ORBITER 96 CASHBOX SLEEVE
- 14 1V06-040 ORBITER CONTROL BOX TRAY
- 15 1V06-041 OR BATTERY CRADLE
- 16 0F07-351 CABLE 'P' CLIP 6mm WHITE
- 17 0F07-082 CABLE TIE BLACK 300x4.8mm
- 18 0H00-005 600 SERIES CIRCLIP
- 19 0H00-006 600 SERIES WING STUD
- 20 0H00-030 MIDGET CLIP
- 21 0H06-012 RUBBER BUMPER ORBITER
- 22 0H06-013 BUMPER INNER TUBE ORBITER
- 23 0H06-021 CHASSIS CASTOR 93
- 24 0H06-026 GAS STRUT BALL JOINT STUD
- 25 0F00-505 NUT M5 NYLOC
- 26 0F00-506 NUT M5 THUMB NYLON KN
- 27 0F00-507 WASHER M5A STEEL ZP
- 28 0F00-510 WASHER M5x25MM S/STEEL(2BAX1")
- 29 0F00-605 NUT M6 NYLOC
- 30 0F00-609 WASHER M6B S/STEEL
- 31 0F00-634 H SCREW M6x16MM P02LR0V/HD S/S
- 32 0F00-802 NUT M8 STEEL ZP
- 33 0F00-805 NUT M8 NYLOC
- 34 0F00-809 WASHER M8B STEEL ZP
- 35 0F00-905 NUT M10 NYLOC S/STEEL
- 36 0F00-911 WASHER M10A STEEL Z/P
- 37 0F05-015 POP RIVET ALU DOMED OPEN 3.2x11.5MM

Item No. Part No. Description

- 38 0F05-116 POP RIVET ALU L/HD OPEN 4.8x19.0MM
- 39 0F05-156 POP RIVET ALU DOMED BLBX 4.0x21.2MM
- 40 0F05-240 POP RIVET S/STL DOMED OPEN 6.4x12mm
- 41 1H06-137 ORBITER 96 SEAT GASKET RUBBER
- 42 0F07-251 CABLE CLIP 'HOOK METAL
- 43 1H06-230 ORBITER BODY HINGE 2005



HIT N' SPIN

Note: The information contained in this publication is correct at the time of printing, but owing to the continuing development of the products, changes in the specification may be inevitable. The manufacturer reserves the right to implement such changes without prior notice.

5 CHASSIS

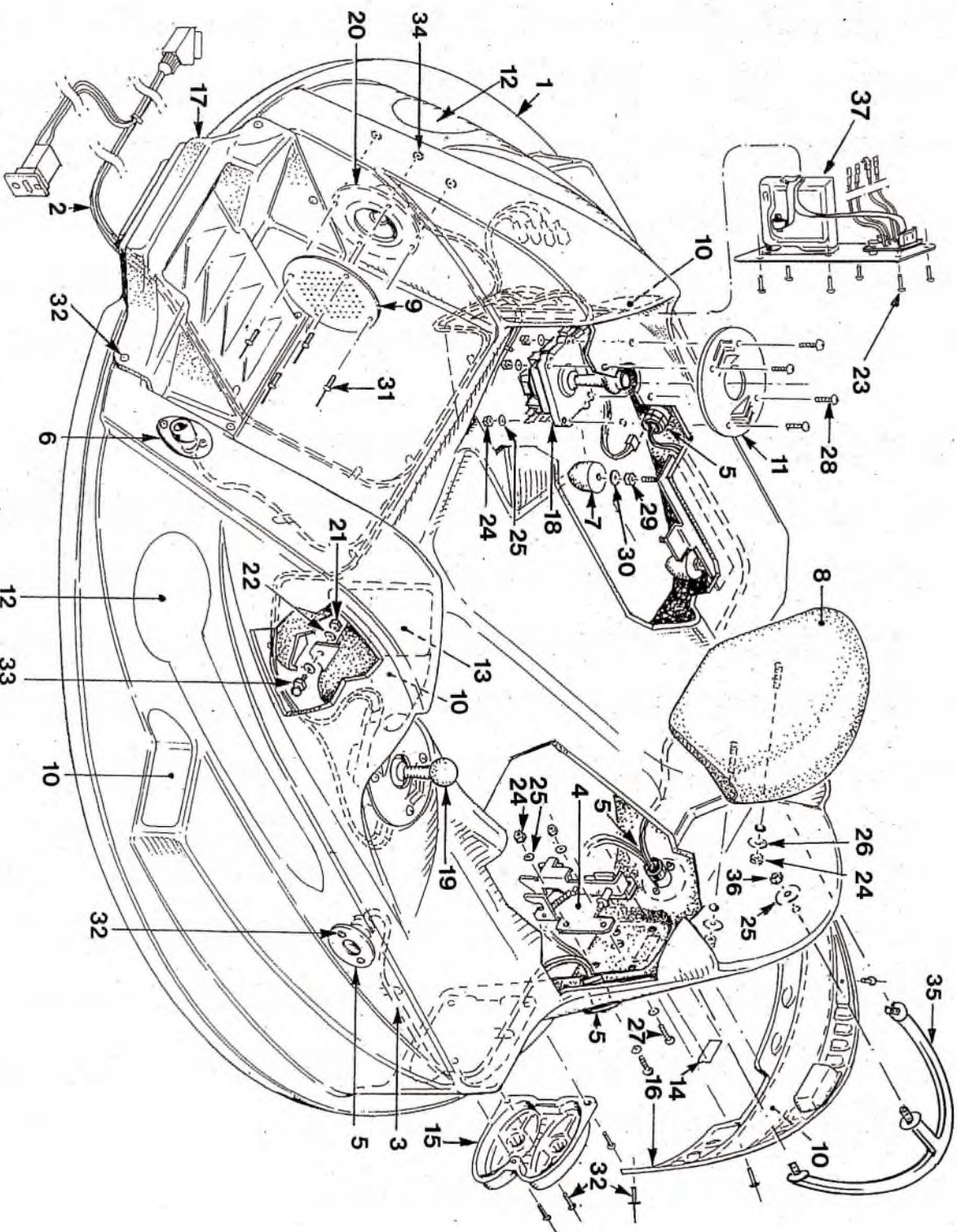
FEB. '05



Item No. Part No. Description

1	3506-310	ORBITER HIT 'N' SPIN BODY BLACK TRIMMED
	3506-311	ORBITER HIT 'N' SPIN BODY RED TRIMMED
	3506-312	ORBITER HIT 'N' SPIN BODY ORANGE TRIMMED
	3506-313	ORBITER HIT 'N' SPIN BODY YELLOW TRIMMED
	3506-314	ORBITER HIT 'N' SPIN BODY GREEN TRIMMED
	3506-315	ORBITER HIT 'N' SPIN BODY BLUE TRIMMED
	3506-316	ORBITER HIT 'N' SPIN BODY WHITE TRIMMED
	3506-317	ORBITER HIT 'N' SPIN BODY CRIMSON TRIMMED
2	2106-022	ORBITER HIT 'N' SPIN LOOM 98
3	2106-023	ORBITER HIT 'N' SPIN SENSOR LOOM
4	2106-024	OR BODY CATCH ASSY
5	4106-016	ORB. HIT 'N' SPIN IR RX ASSY
6	4106-017	ORB. HIT 'N' SPIN IR TX ASSY
7	2106-051	OR BATTERY CLAMP STOP
8	1106-131	ORBITER 96 HEAD/BACKREST
9	1106-036	OR SPEAKER GRILLE 100MM
10	1L06-060	ORBITER 96 DECAL SET
11	1L06-011	OR JOYSTICK TRIM
12	1L06-330	ORBITER HIT 'N' SPIN DECAL SET
13	1L06-331	ORBITER HIT 'N' SPIN JOYSTICK DECAL
14	1L00-001	TORNADO S/A LABEL STD
15	1V06-050	ORBITER 96 JET MOLDING
16	1V06-055	ORBITER 96 LOBO MOLDING
17	1V06-052	ORBITER 96 FOOTWELL MOLDING
18	0E00-295	OR JOYSTICK 2 WAY C/N CENTRE FIRING BTM
19	0E00-297	OR JOYSTICK 2 WAY
20	0E00-570	SPEAKER 100MM DIA BR 50W MAX
21	0F00-505	NUT M5 NYLDC
22	0F00-509	WASHER M5 LPP14 S1/2P (3/16")
23	0F00-565	H SCREW M5X16MM SECURITY SKT BTM/HD S/S
24	0F00-605	NUT M6 NYLDC
25	0F00-609	WASHER M6 S/STEEL
26	0F00-610	WASHER M6X25MM S/S PSS6 1/4X1"
27	0F00-664	H SCREW M6X16MM SKT BTM/HD S/S
28	0F00-666	H SCREW M6X25MM SKT BTM/HD S/S
29	0F00-802	NUT M8 STEEL ZP
30	0F00-810	WASHER M8X30MM S/STEEL
31	0F05-061	POP RIVET ALU DOME OPEN 4.0X22.0MM
32	0F05-094	POP RIVET ALU DMD OPN BL 4.8X14.5MM
33	0H06-026	GAS STRUT BALL JOINT STUO
34	0F00-408	WASHER M4 BRASS
35	1H06-023	HAND RAIL
36	0F00-805	NUT M8 NYLDC
37	4106-004	ORB. HIT 'N' SPIN M/MECH S/ASSY (NON R/M)

Note: The information contained in this publication is correct at the time of printing, but owing to the continuing development of the products, changes in the specification may be inevitable. The manufacturer reserves the right to implement such changes without prior notice.



HIT 'N' SPIN

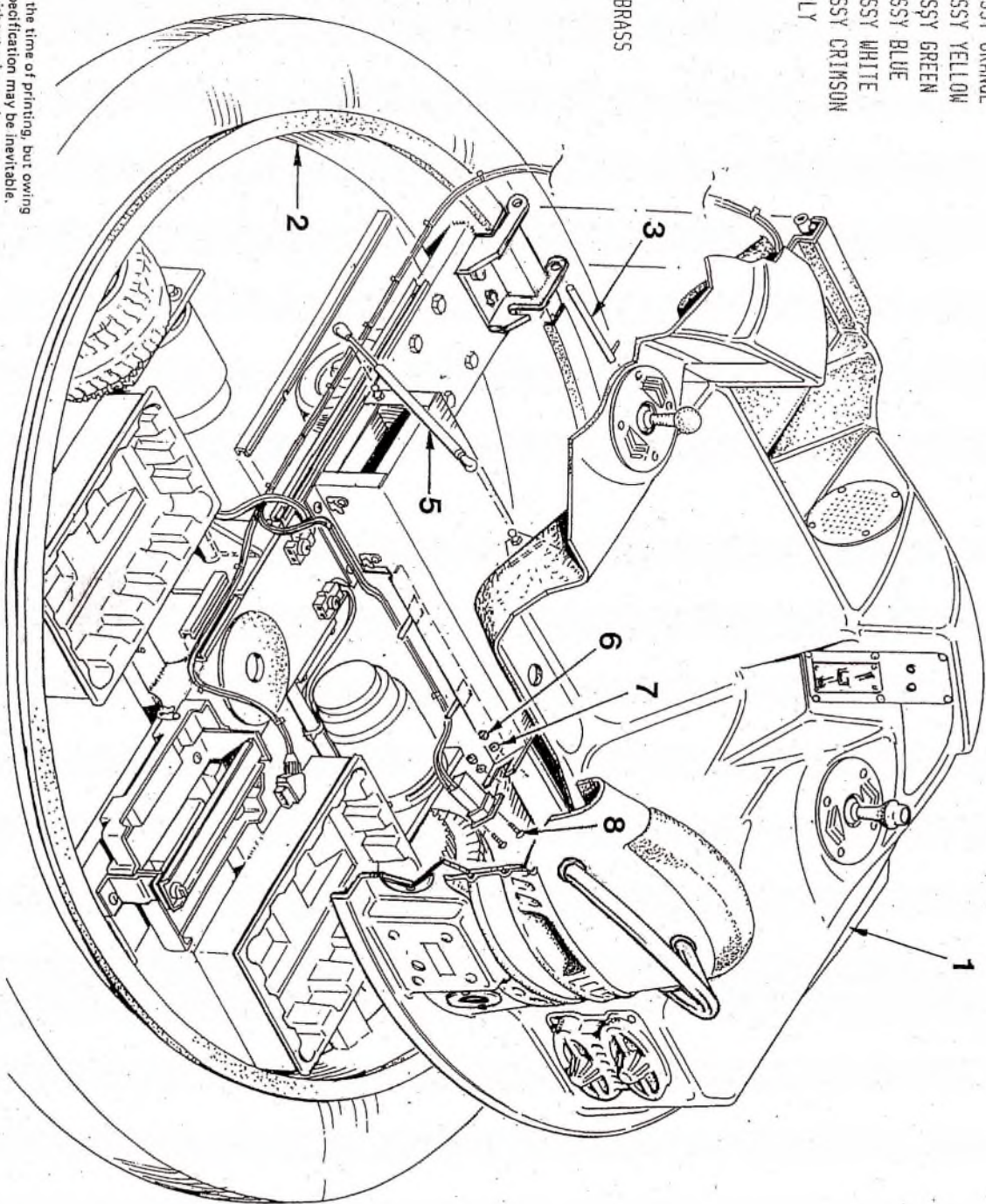
6 BODY

FEB. '05

TORNADO

Item No. Part No. Description

1	7J06-310	ORBITER HIT 'N' SPIN BODY ASSY BLACK
	7J06-311	ORBITER HIT 'N' SPIN BODY ASSY RED
	7J06-312	ORBITER HIT 'N' SPIN BODY ASSY ORANGE
	7J06-313	ORBITER HIT 'N' SPIN BODY ASSY YELLOW
	7J06-314	ORBITER HIT 'N' SPIN BODY ASSY GREEN
	7J06-315	ORBITER HIT 'N' SPIN BODY ASSY BLUE
	7J06-316	ORBITER HIT 'N' SPIN BODY ASSY WHITE
	7J06-317	ORBITER HIT 'N' SPIN BODY ASSY CRIMSON
2	6J06-025	ORBITER 96 CHASSIS ASSEMBLY
3	1H06-028	OR HINGE SPINDLE
4		
5	0H06-025	GAS STRUT
6	0F00-305	NUT M3 NYLOC
7	0F00-308	WASHER M3A BRASS
8	0F00-323	M SCREW M3X12MM SLT CSK BRASS



HIT 'N' SPIN

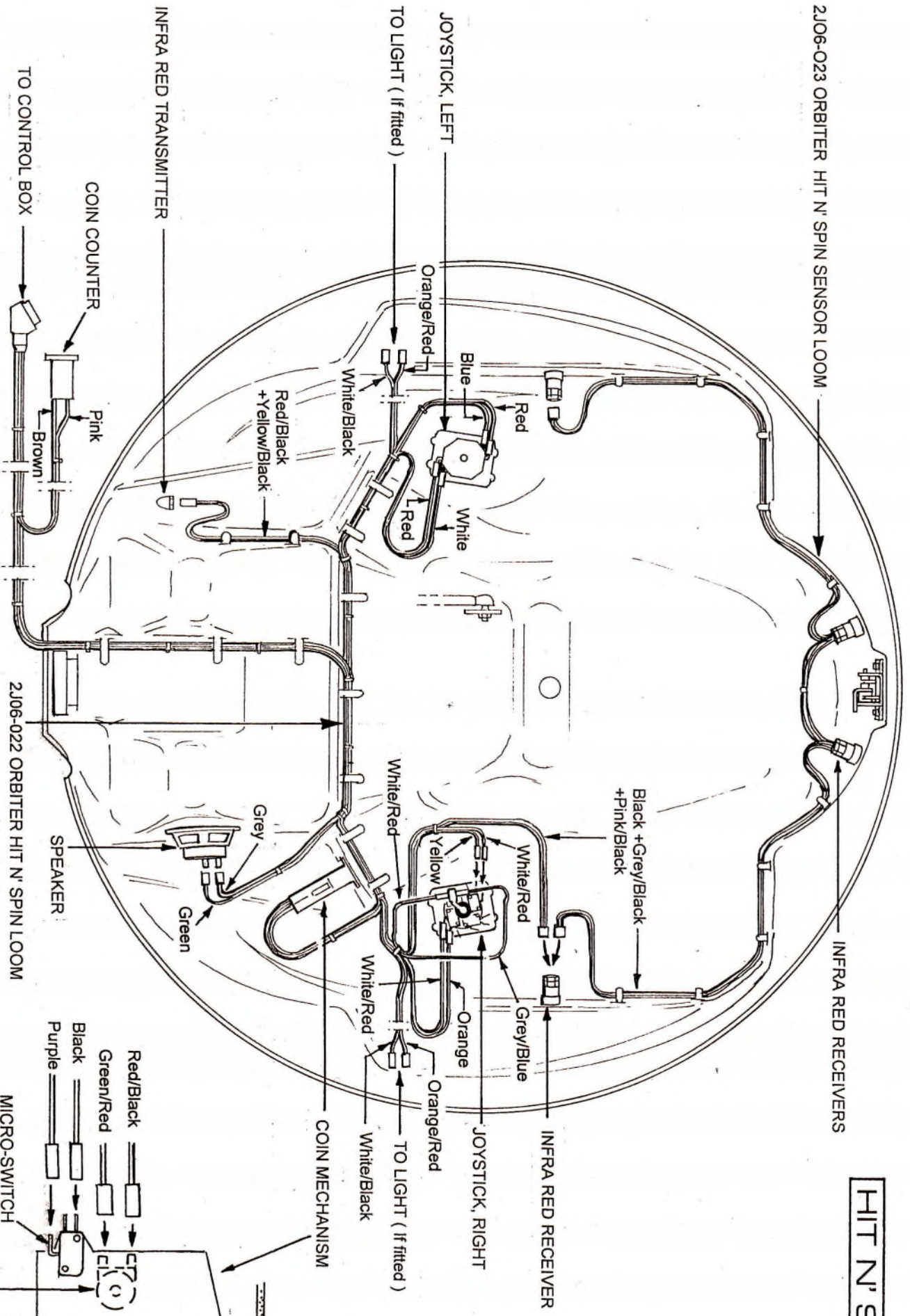
7 CHASSIS+BODY

Note: The information contained in this publication is correct at the time of printing, but owing to the continuing development of the products, changes in the specification may be inevitable. The manufacturer reserves the right to implement such changes without prior notice.

FEB '05

Tornado

HIT N' SPIN



2U06-023 ORBITER HIT N' SPIN SENSOR LOOM

INFRARED RECEIVERS

INFRARED TRANSMITTER

JOYSTICK, LEFT

TO LIGHT (if fitted)

JOYSTICK, RIGHT

TO LIGHT (if fitted)

INFRARED TRANSMITTER

COIN COUNTER

TO CONTROL BOX

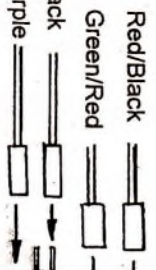
2U06-022 ORBITER HIT N' SPIN LOOM

SPEAKER

COIN MECHANISM

MICRO-SWITCH

COIN BLOCKER (Ridemaster only)

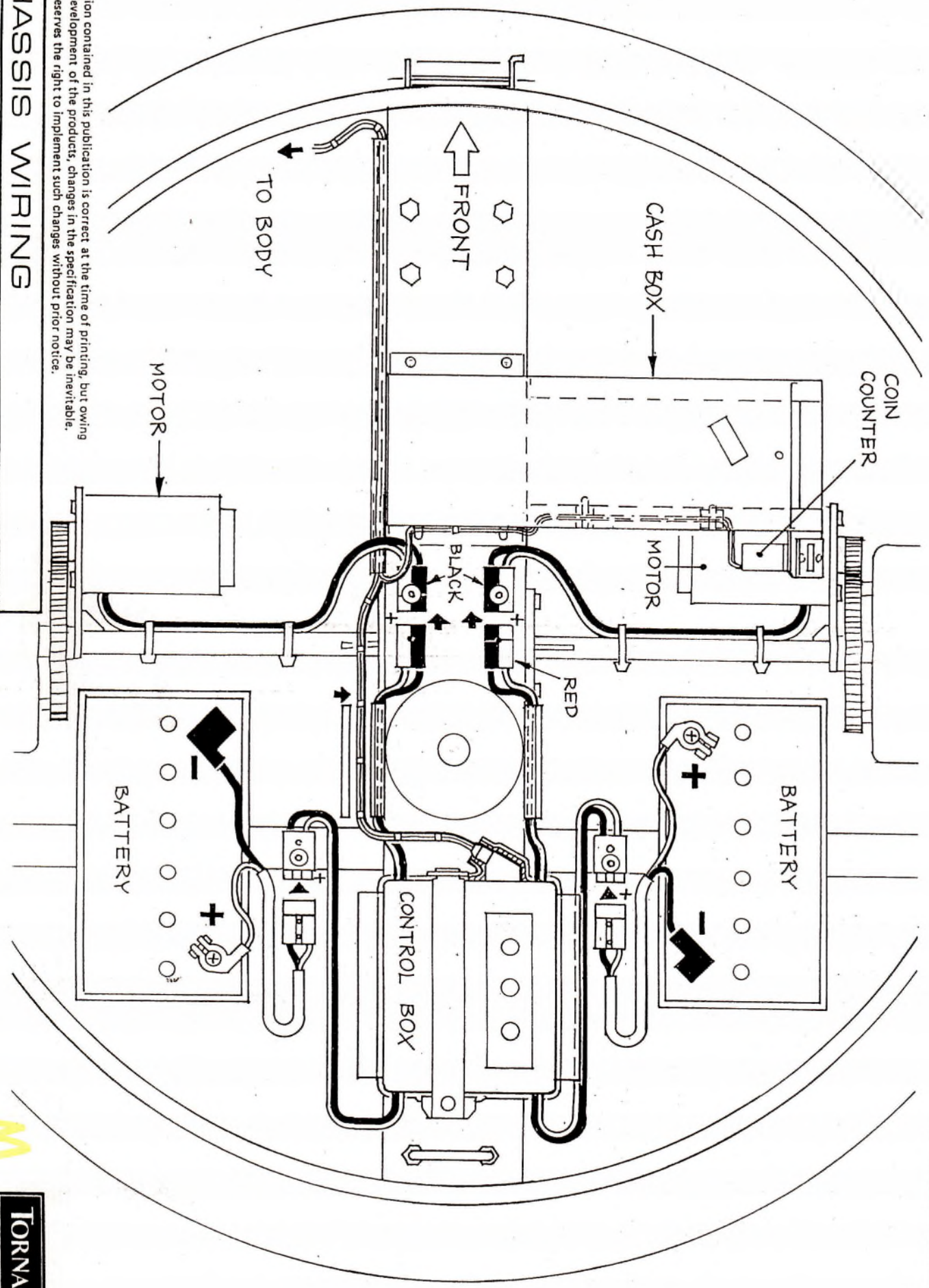


Note: The information contained in this publication is correct at the time of printing, but owing to the continuing development of the products, changes in the specification may be inevitable. The manufacturer reserves the right to implement such changes without prior notice.

8 LOOMS

BODY VIEWED FROM BELOW





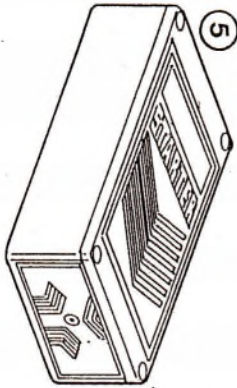
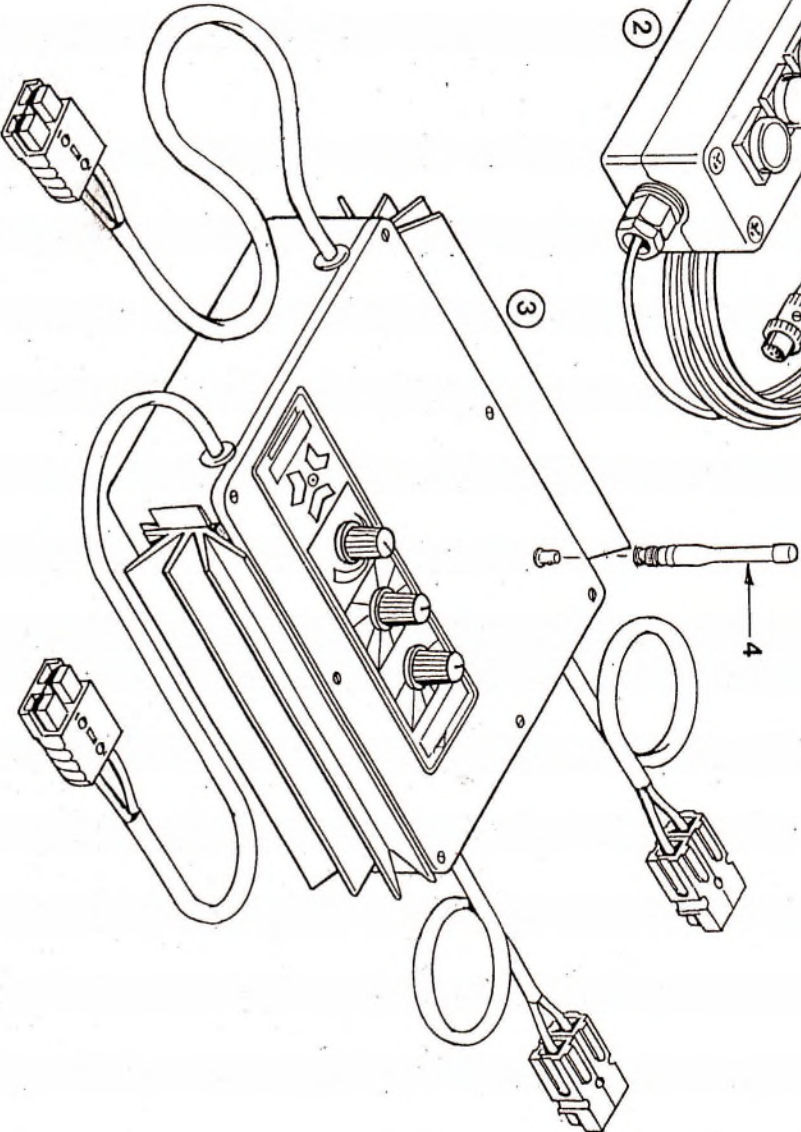
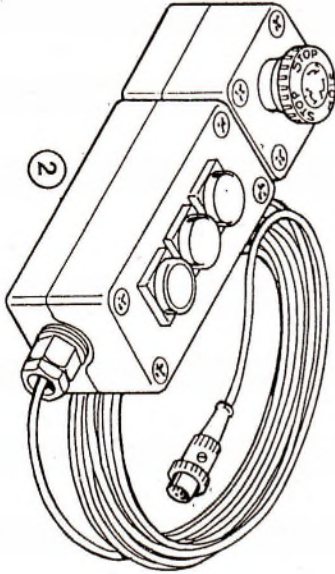
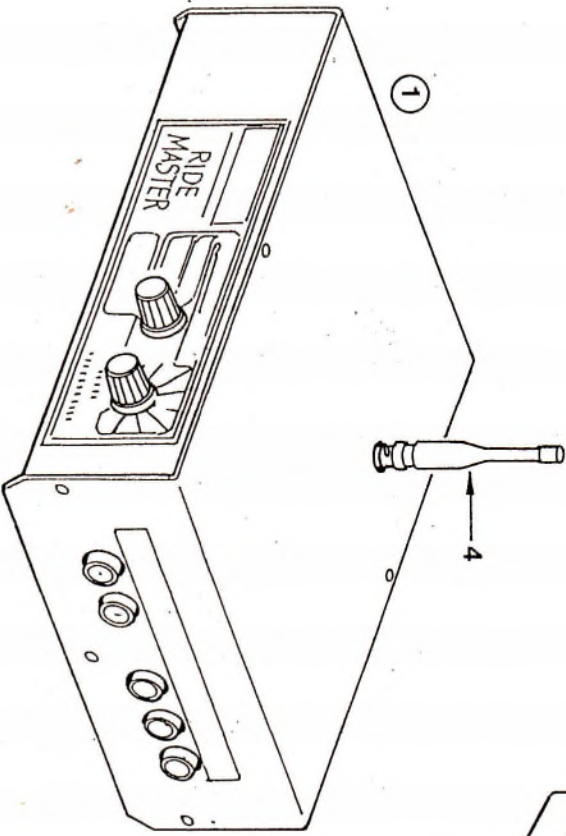
Note: The information contained in this publication is correct at the time of printing, but owing to the continuing development of the products, changes in the specification may be inevitable. The manufacturer reserves the right to implement such changes without prior notice.

9 CHASSIS WIRING

Item No. Part No. Description

- 1 7J06-050 RIDEMASTER CONTROL TRANSMITTER
- 2 5J06-050 OR RIDEMASTER CONTROL BUTTON ASSY
- 3 6J06-035 ORBITER HIT 'N' SPIN RIDEMASTER ELECTRONICS UNIT
- 4 0E04-001 AERIAL 458MHZ BNC BASE COIL WHIP-HELICAL
- 5 6J05-005 HAND STARTER

HIT 'N' SPIN



Note: The information contained in this publication is correct at the time of printing, but owing to the continuing development of the products, changes in the specification may be inevitable. The manufacturer reserves the right to implement such changes without prior notice.

10 RIDEMASTER

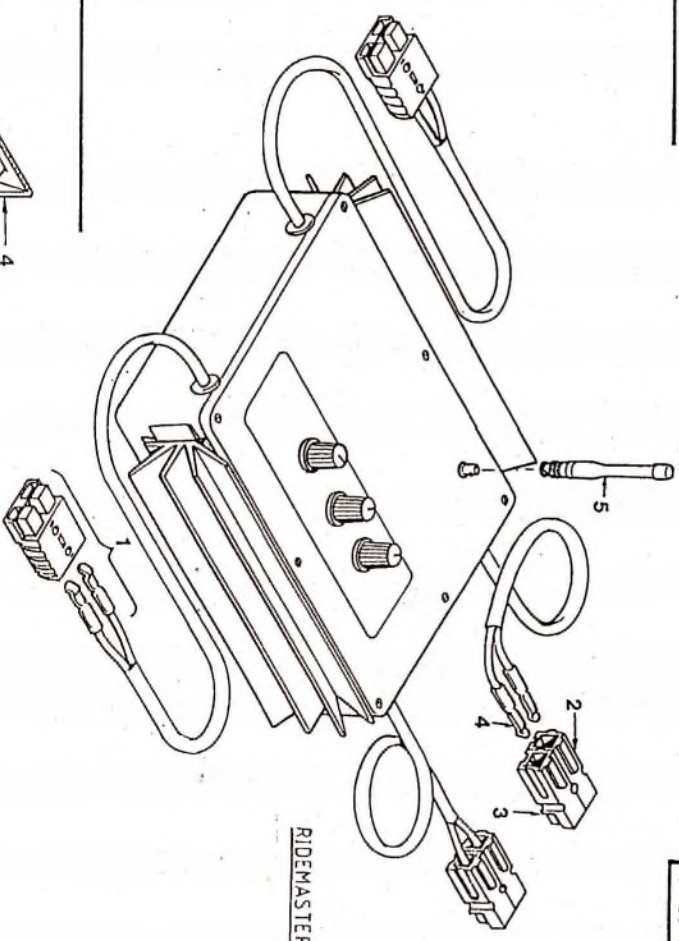


TORNADO

Item No. Part No. Description

- 1 0K01-020 CONNECTOR 2P 50A C/W CONT - GREY
- 2 0K01-165 CONNECTOR P'POLE 60A HOUSING - RED
- 3 0K01-166 CONNECTOR P'POLE 60A HOUSING - BLK
- 4 0K01-175 CONTACT P'POLE 5.3MM 60A-STD
- 5 0E04-001 AERIAL 458MHZ BNC BASE COIL WHIP-HELICAL

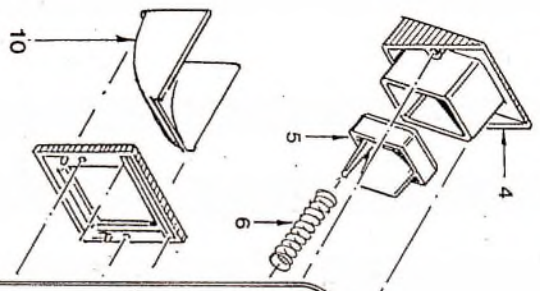
HIT N' SPIN



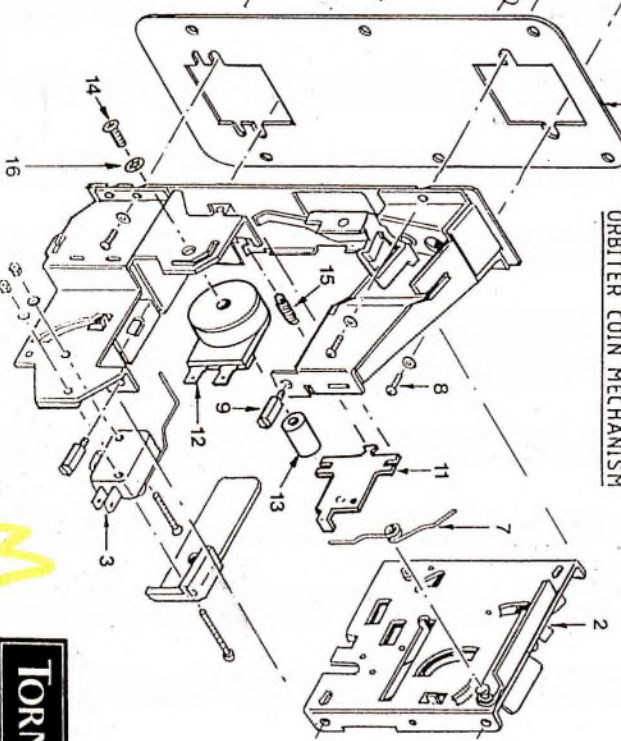
RIDEMASTER ELECTRONICS

- 1 1H06-136 ORBITER 96 COIN MECH FACE PLATE
 - 2 0A00-3-- ACCEPTOR BODY (CUSTOMER TO SPECIFY COIN)
 - 3 { 0E00-200 M/SWITCH RED COIN SLOT BENT
0E00-201 M/SWITCH BLK COIN SLOT BENT
0E00-202 M/SWITCH WHT. COIN SLOT BENT
 - 4 0A00-703 REJECT BUTTON BEZEL 11/11 S/S
 - 5 0A00-4-- REJECTOR BUTTON (CUSTOMER TO SPECIFY COIN)
 - 7 0A00-706 REJECT LEVER SPRING 10/3
 - 8 0A00-702 BEZEL SCREW 11/23
 - 9 0A00-701 COIN MECHANISM RETAINING SCREW
 - 10 2V06-020 OR S10 REJECTOR CHUTE INSERT
- 2A00-001 COIN ACCEPTOR LOCKOUT KIT 12V

- 11 0A00-501 LOCKOUT FLAP 10P UK 24VDC 11/8
- 12 0A00-719 S10 LOCKOUT COIL 12VDC S10 11/15
- 13 0A00-721 S10 POLE PIECE
- 14 0A00-722 S10 POLE PIECE SCREW
- 15 0A00-723 S10 LOCKOUT SPRING 11/20
- 16 0F00-503 WASHER H5 SHAKEPROOF ZP



ORBITER COIN MECHANISM



Note: The information contained in this publication is correct at the time of printing, but owing to the continuing development of the products, changes in the specification may be inevitable. The manufacturer reserves the right to implement such changes without prior notice.

11 RIDEMASTER

M TORNADO