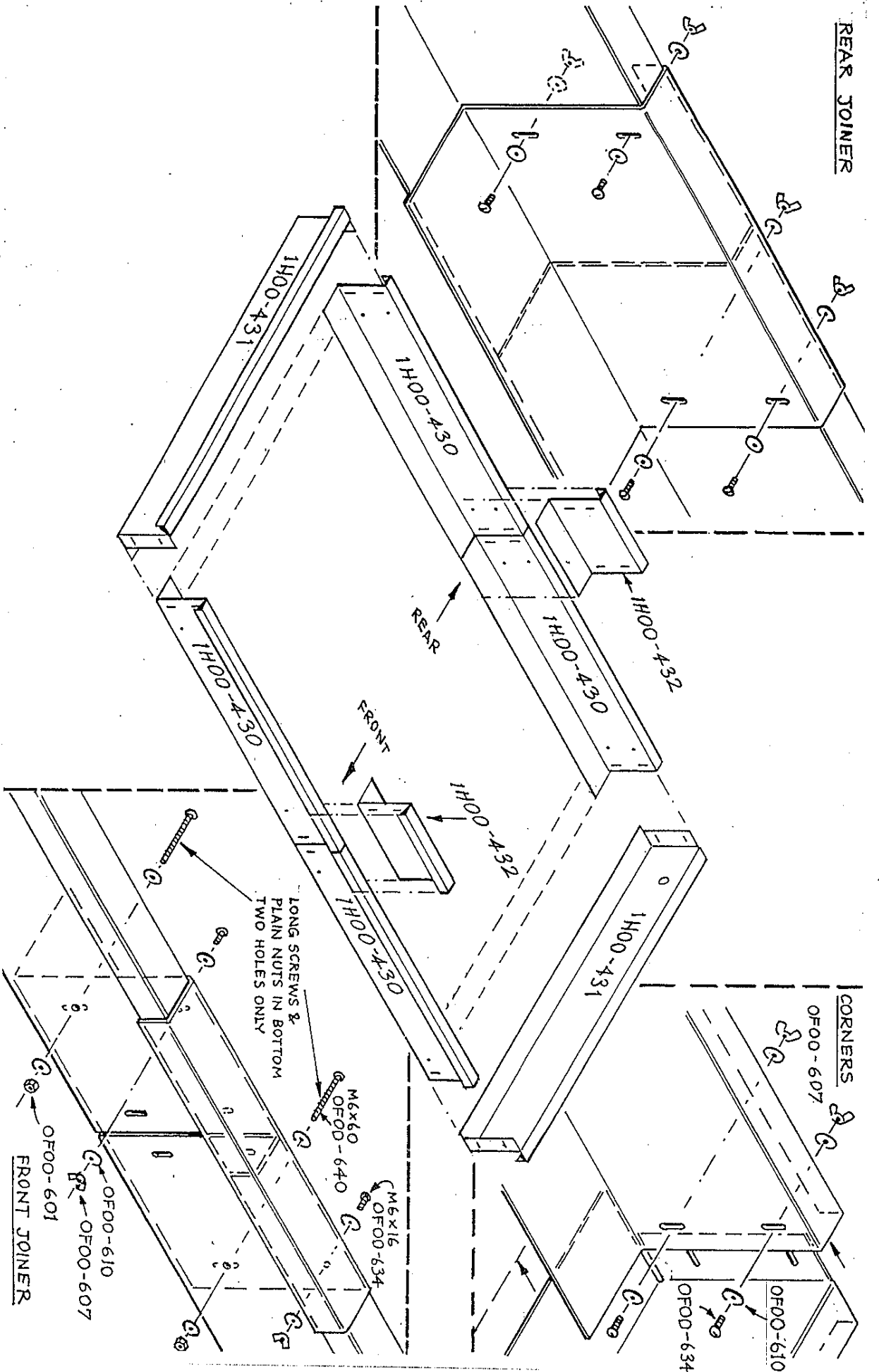


GROUND PLAN

REAR JOINER



CORNERS
OF00-607

OF00-610

OF00-634

1H00-431

FRONT

REAR

1H00-431

1H00-430

1H00-432

1H00-433

LONG SCREWS &
PLAN NUTS IN BOTTOM
TWO HOLES ONLY

M6x60
OF00-640

M6x16
OF00-634

OF00-601

OF00-610

OF00-607

FRONT JOINER

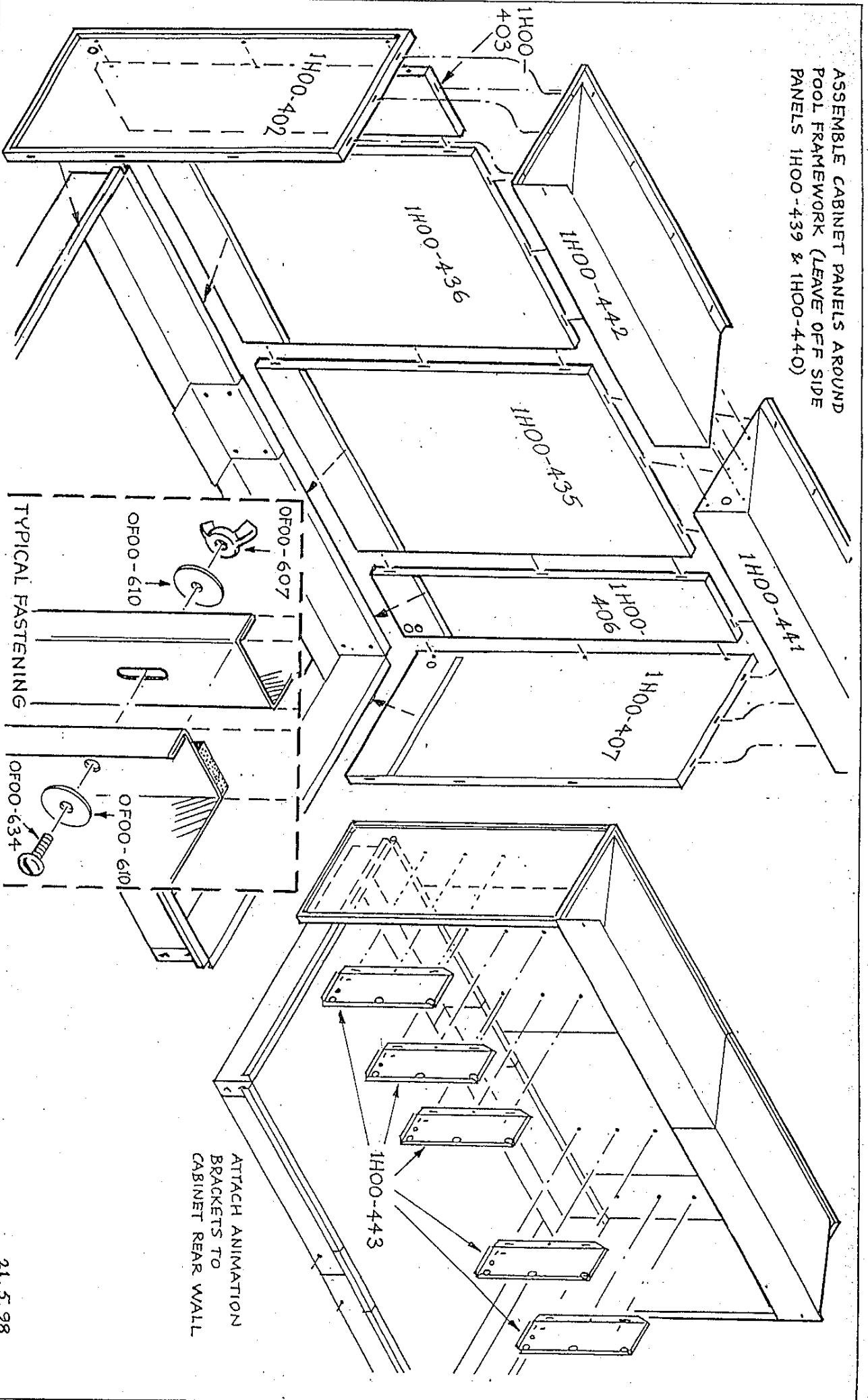
TORNADO

INTERNATIONAL

ASSEMBLY INSTRUCTIONS
AQUA BLASTA MEDIEVAL

SHEET 2

ASSEMBLE CABINET PANELS AROUND
POOL FRAMEWORK (LEAVE OFF SIDE
PANELS 1H00-439 & 1H00-440)

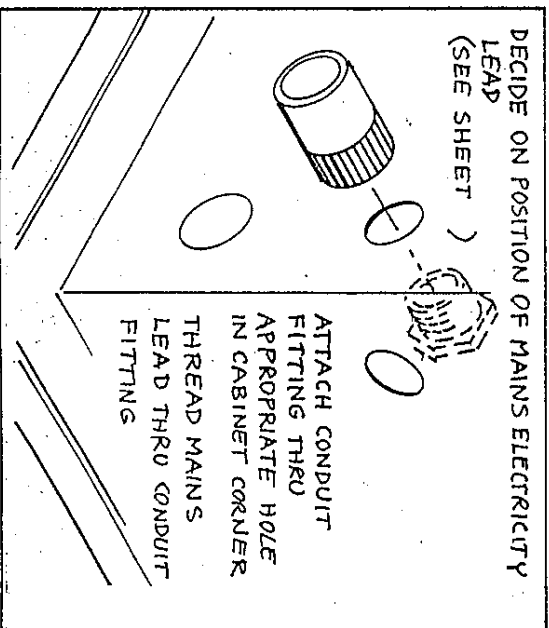
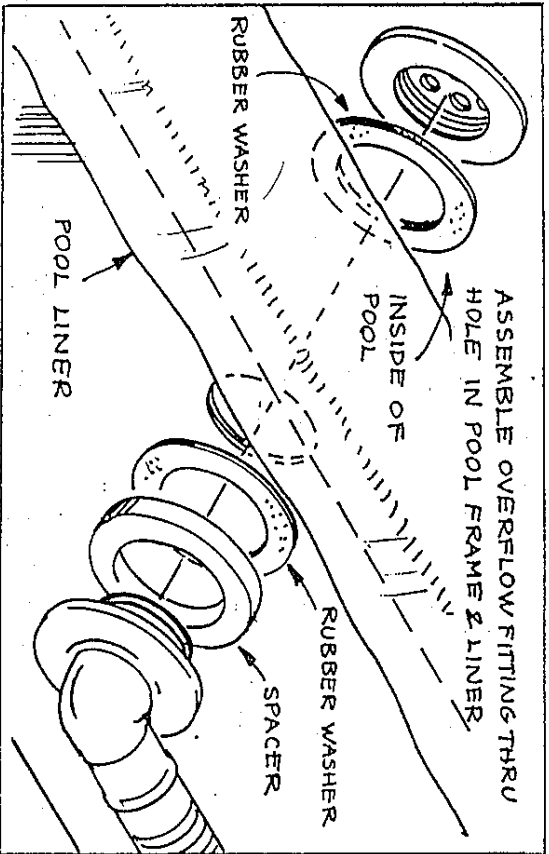
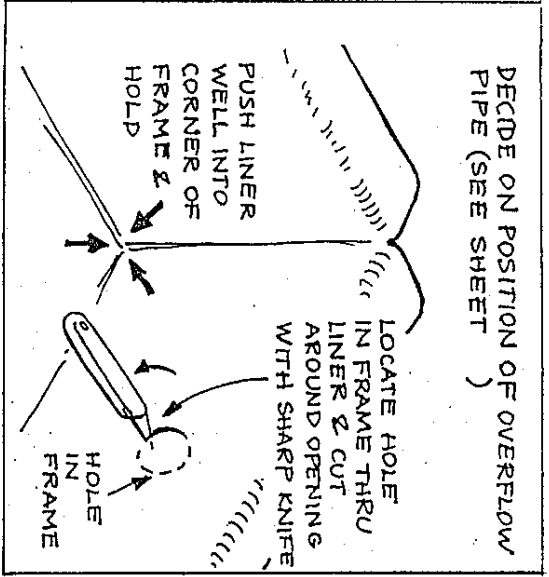
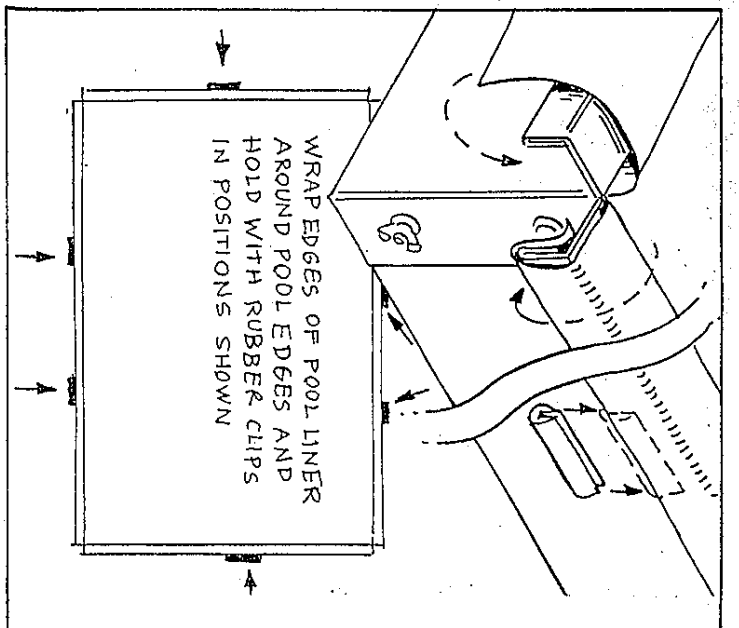
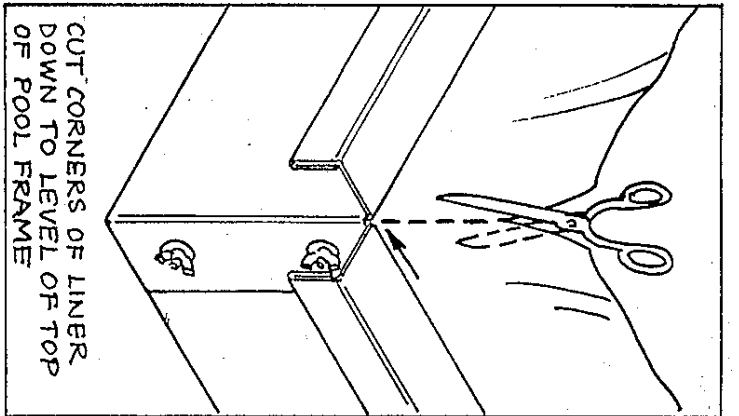
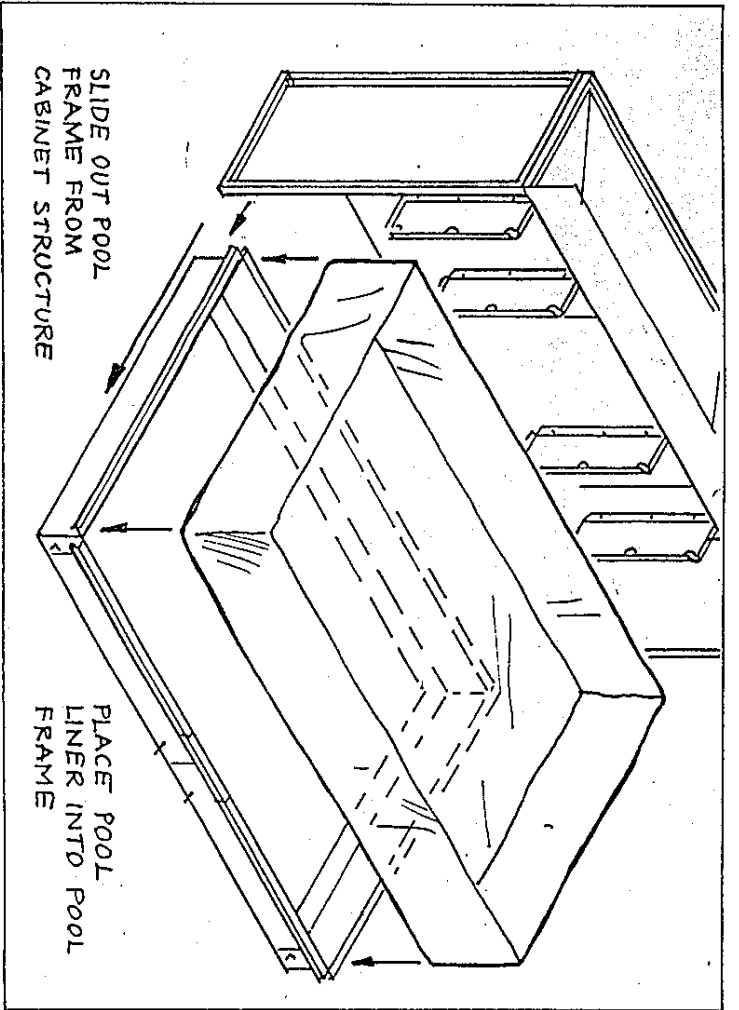


TORNADO
INTERNATIONAL

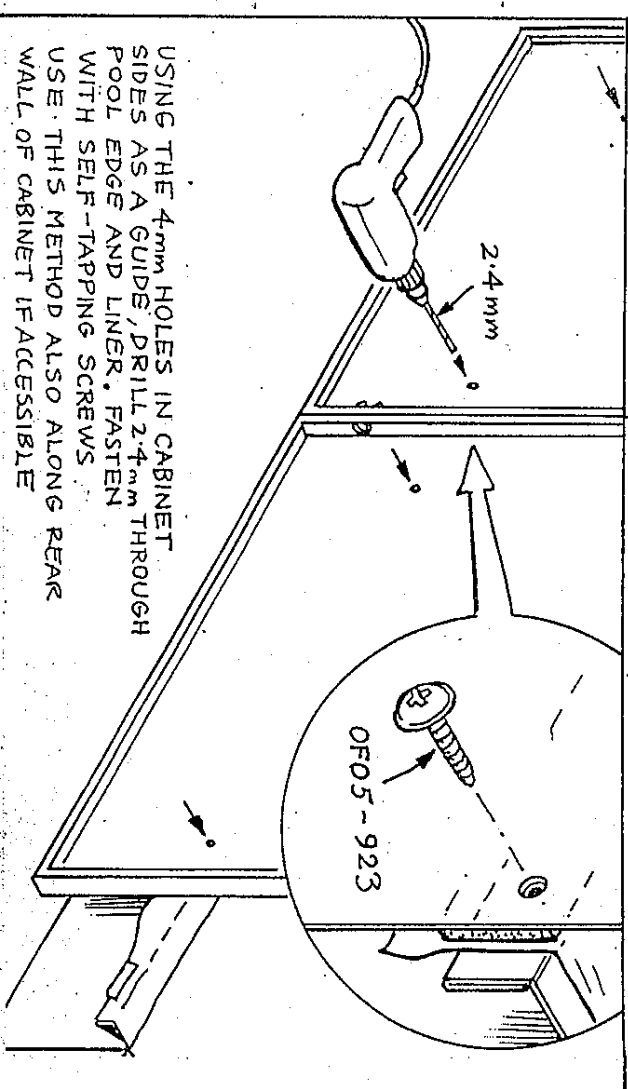
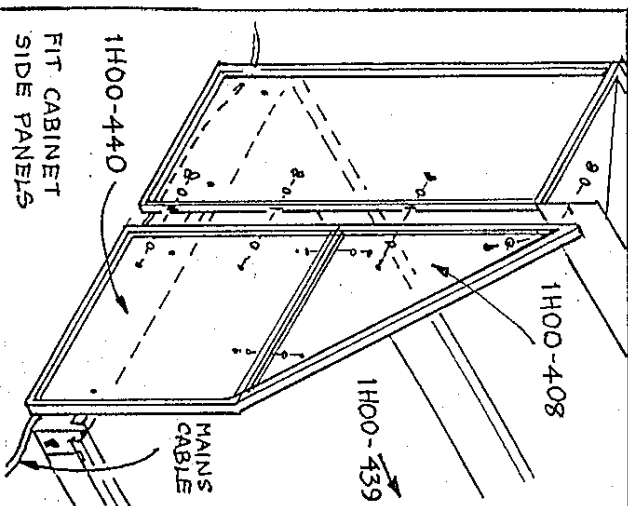
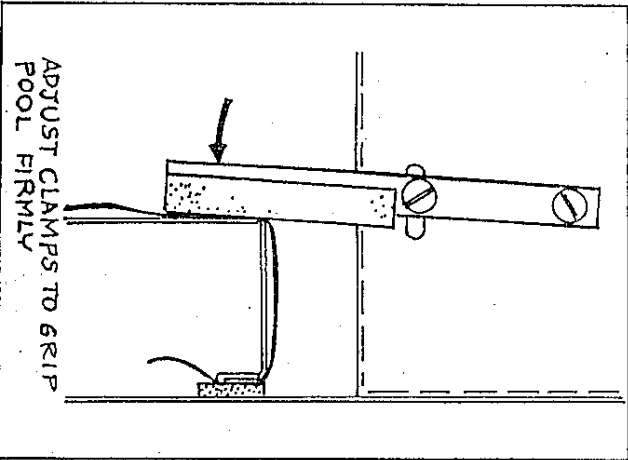
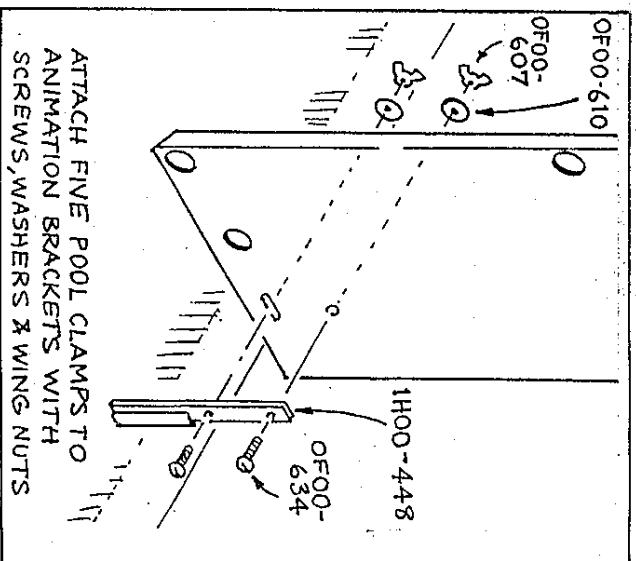
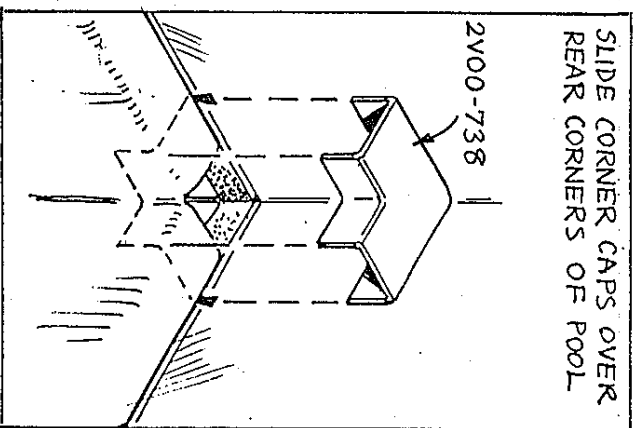
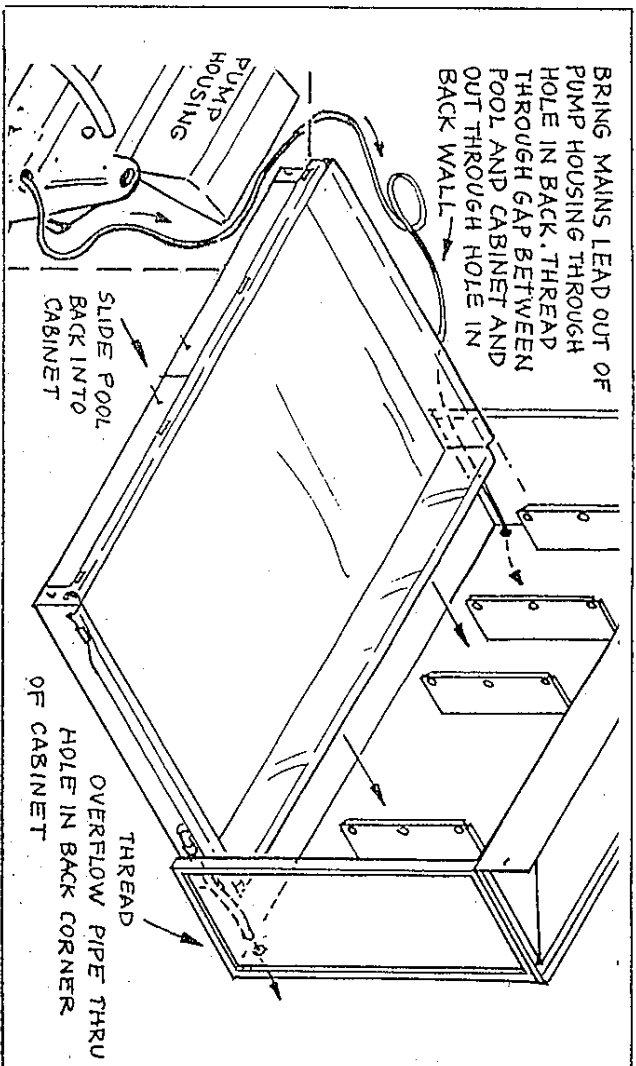
ASSEMBLY INSTRUCTIONS
AQUA BLASTA MEDIEVAL

SHEET 3

21. 5. 98

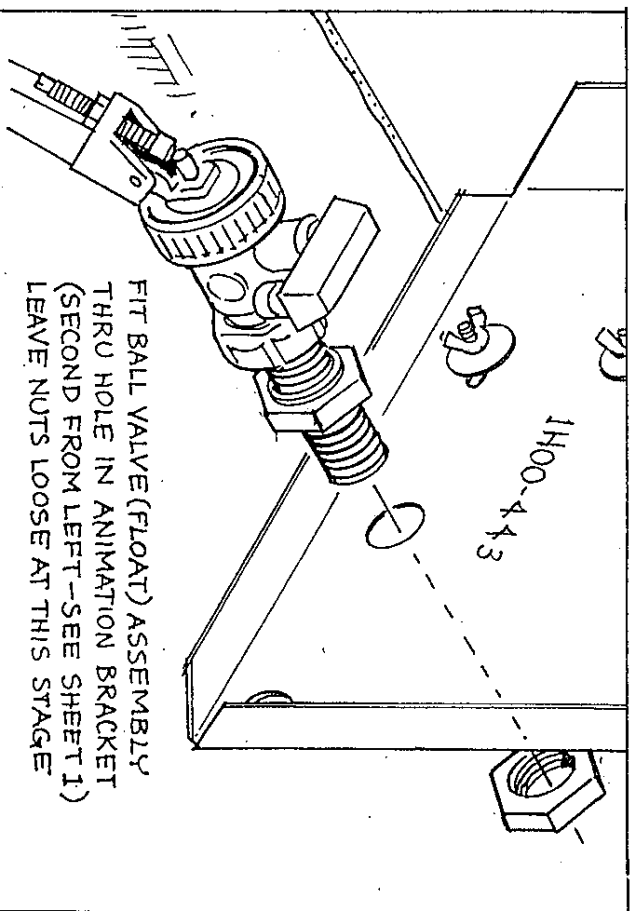
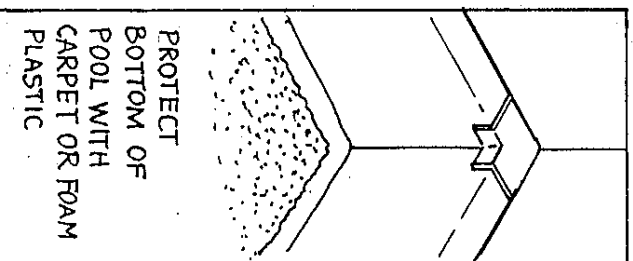
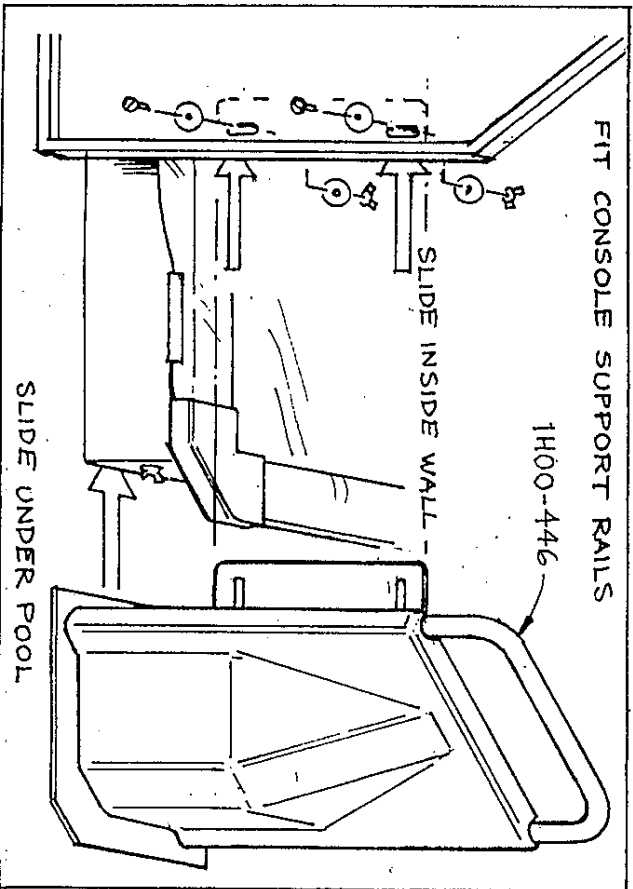
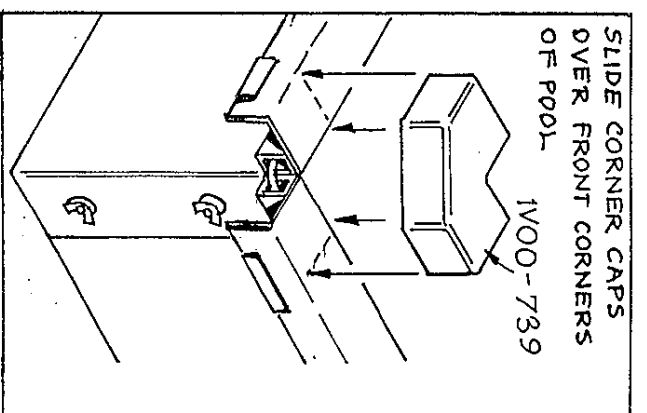
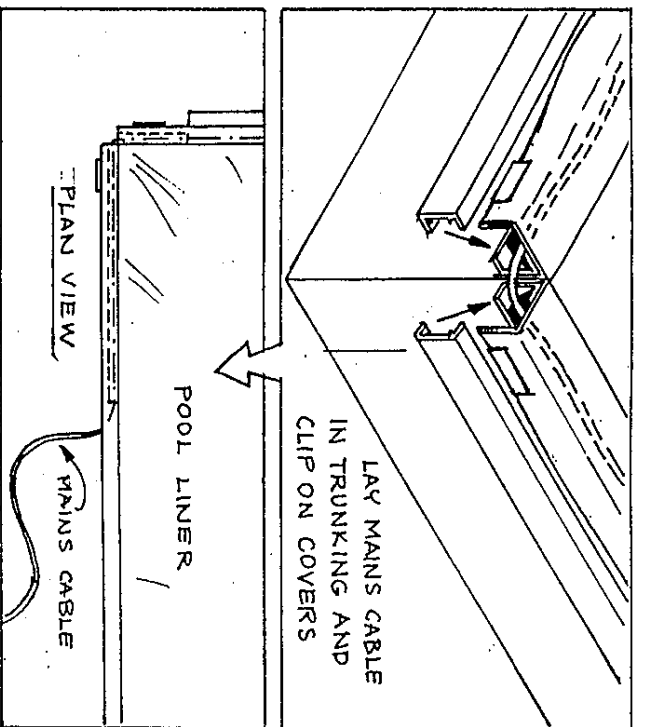
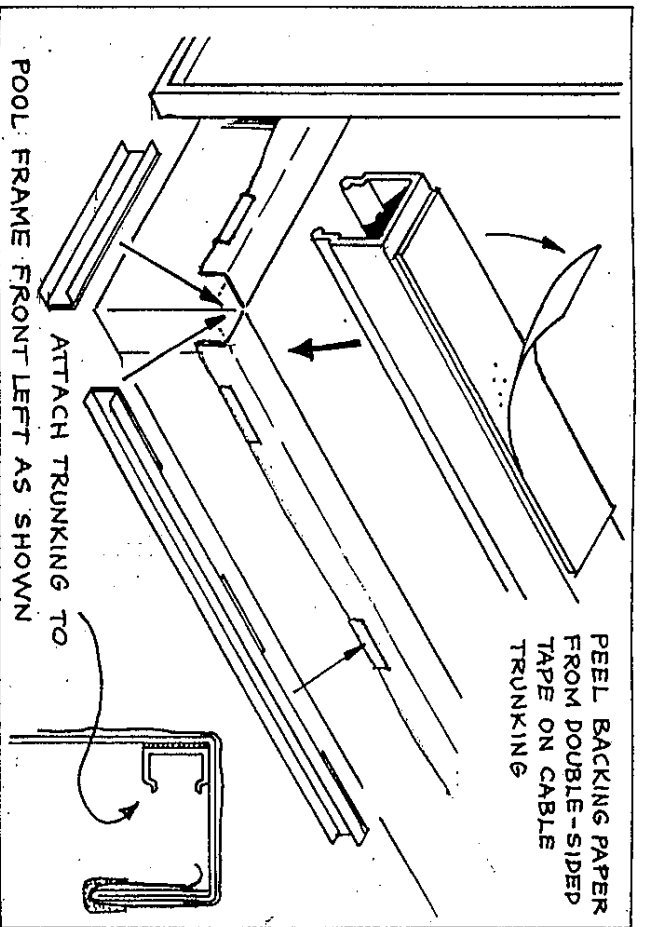


ASSEMBLY INSTRUCTIONS
AQUA BLASTA MEDIEVAL

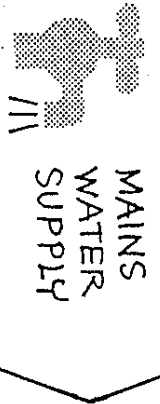


TORNADO
INTERNATIONAL

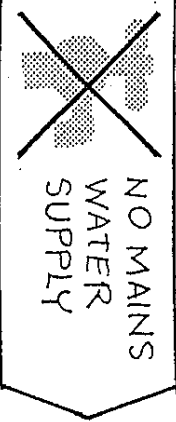
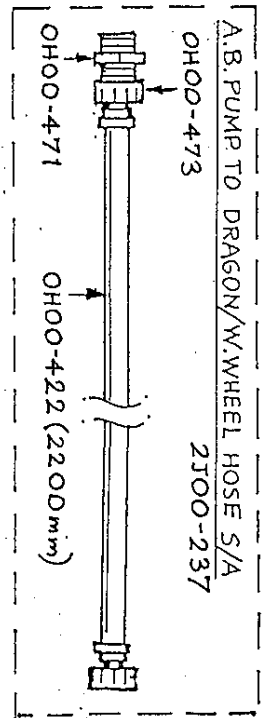
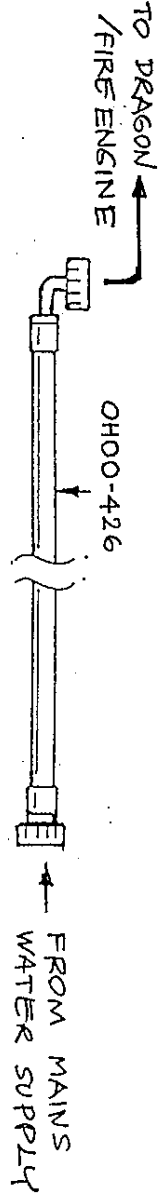
ASSEMBLY INSTRUCTIONS
AQUA BLASTA MEDIEVAL



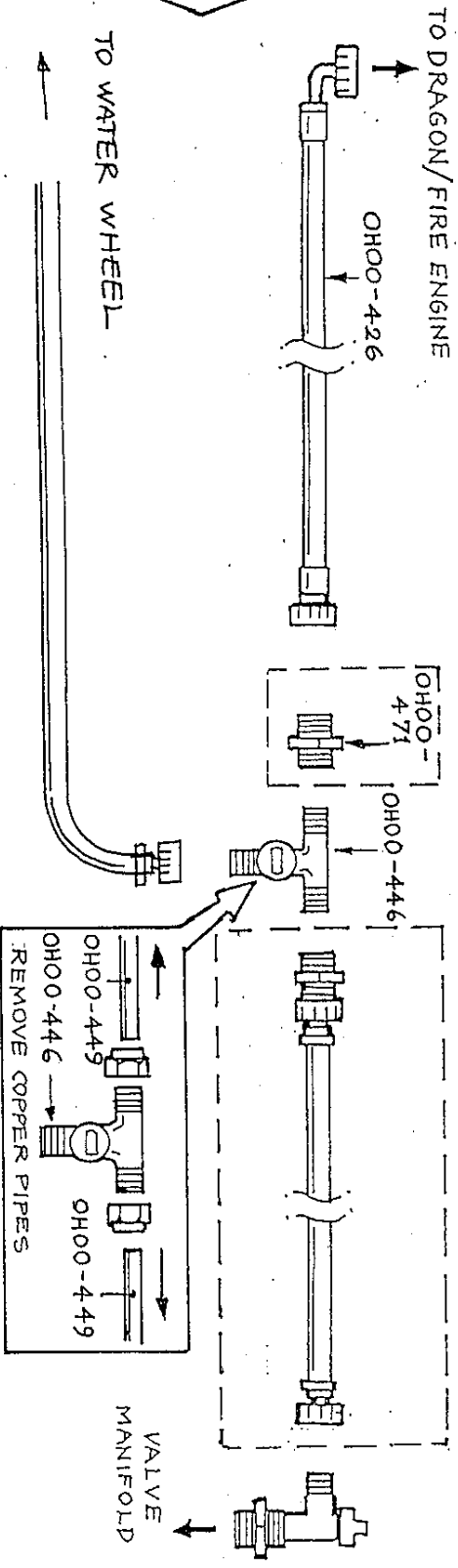
ALTERNATIVE WATER SUPPLIES

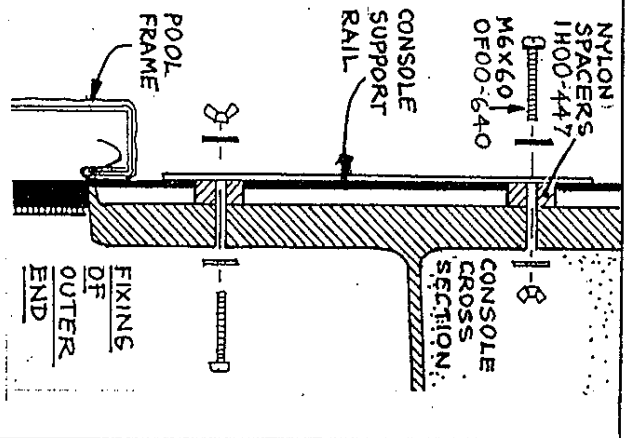
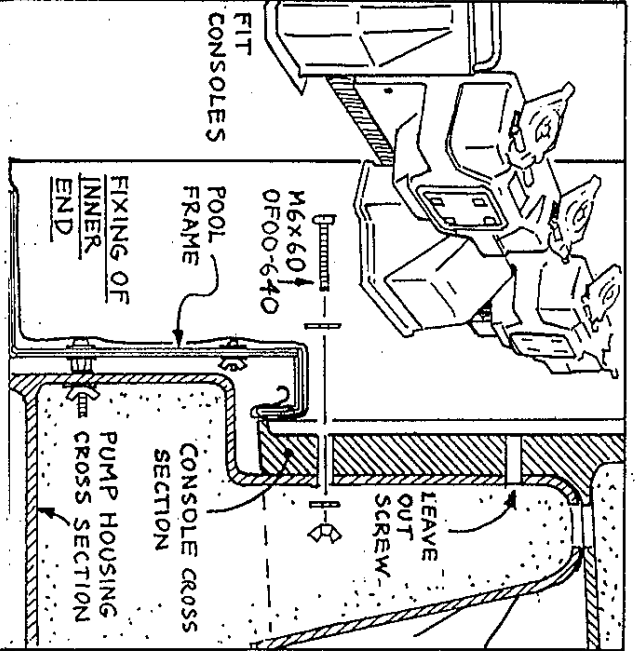
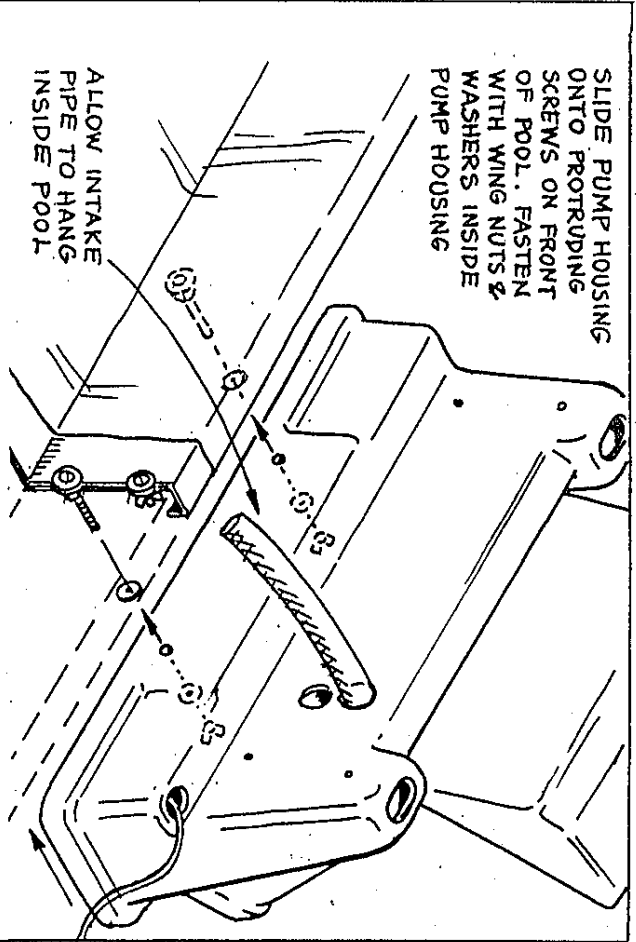
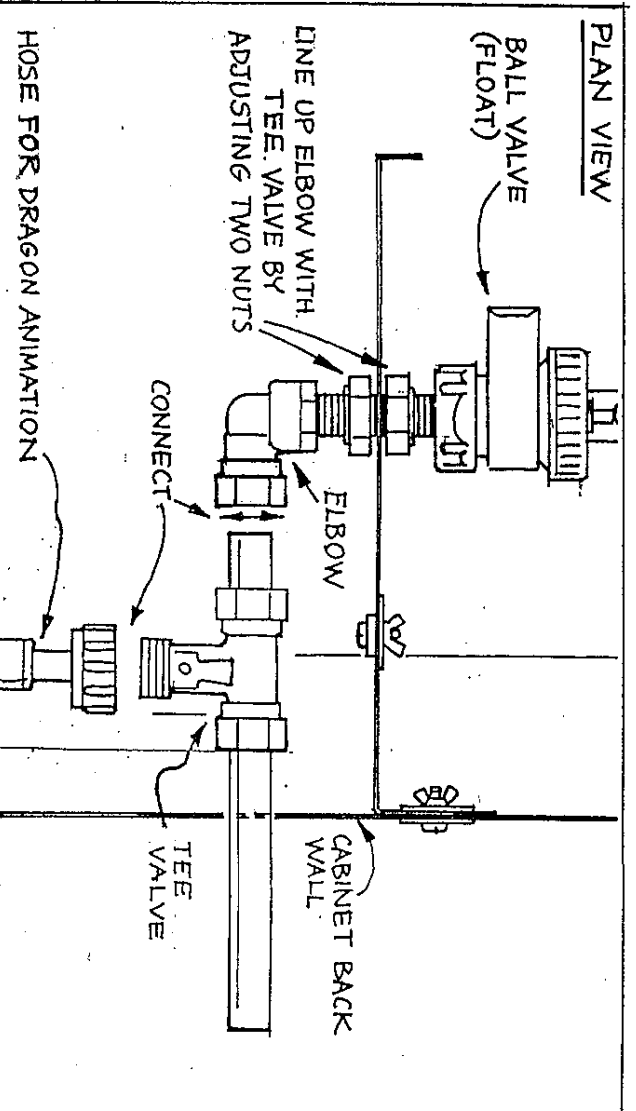
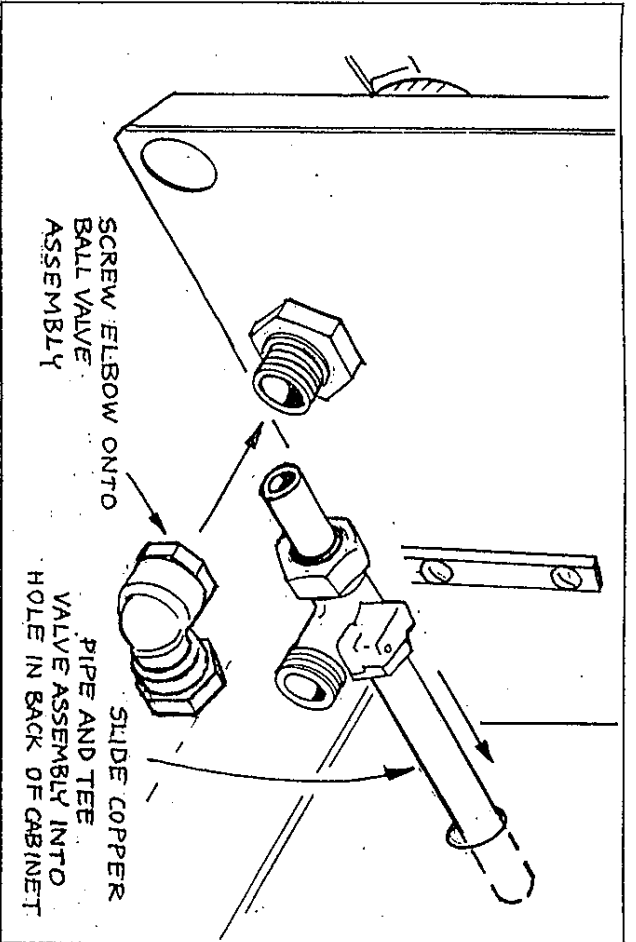


TO WATER WHEEL



TO WATER WHEEL

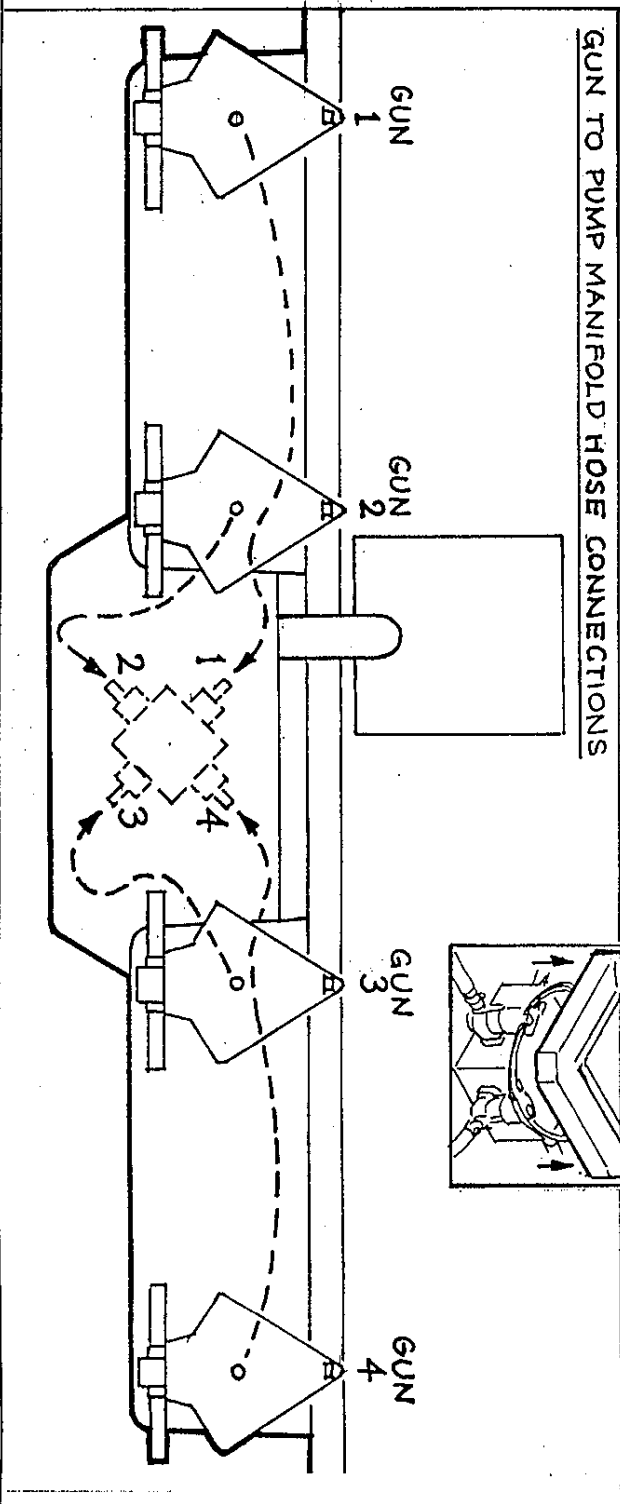
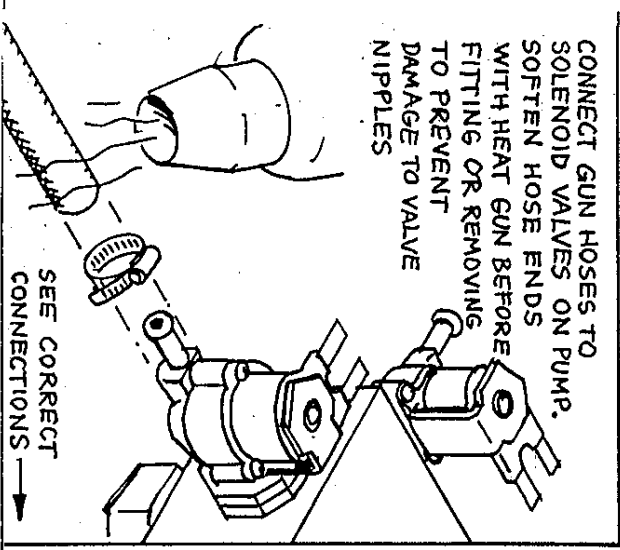
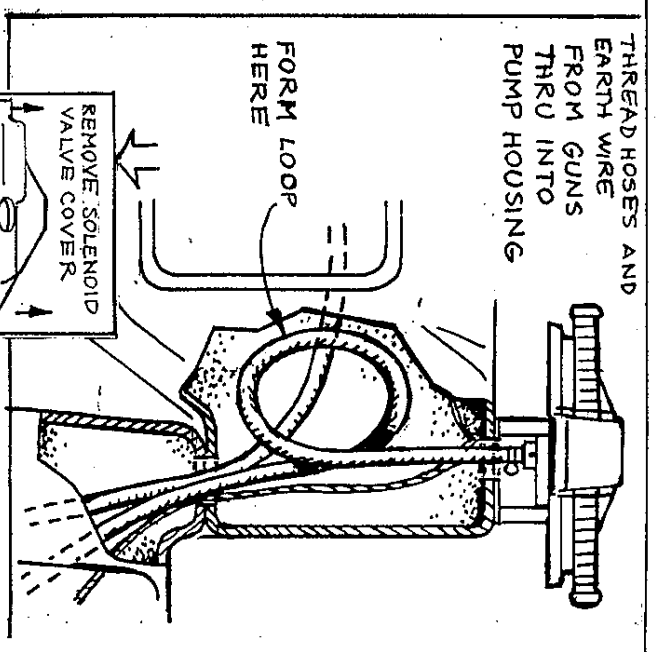
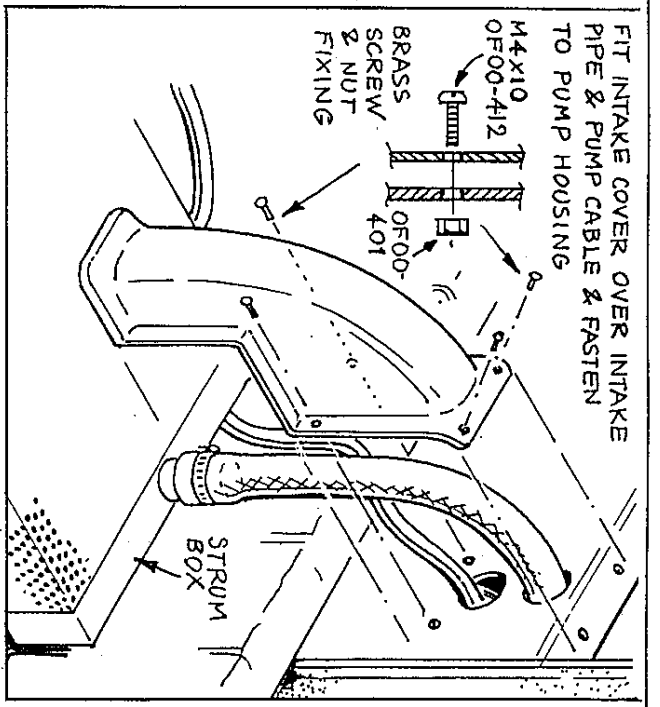
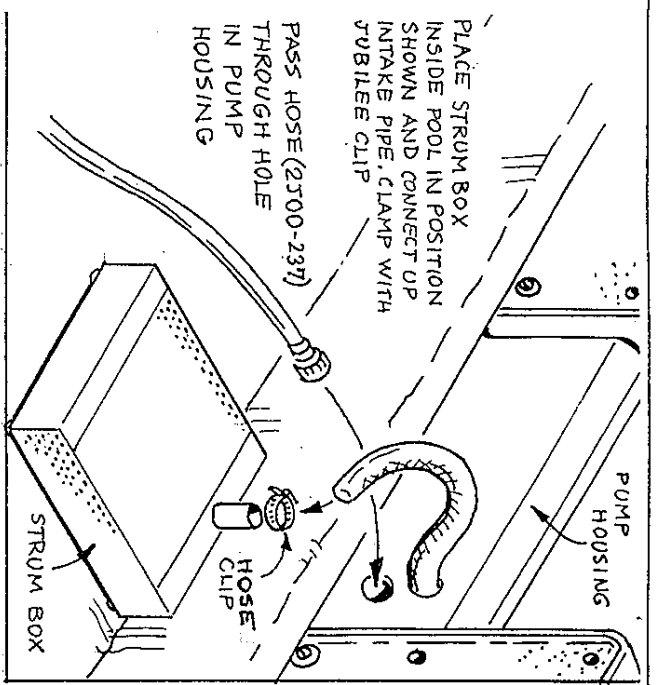




TORNADO

INTERNATIONAL

ASSEMBLY INSTRUCTIONS
AQUA BLASTA FIRE MEDIEVAL

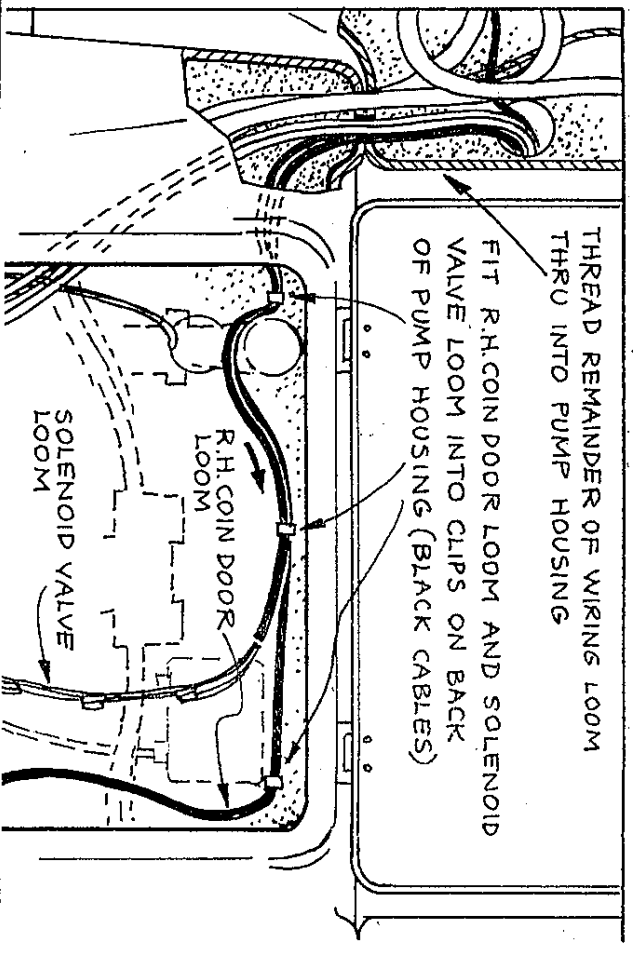
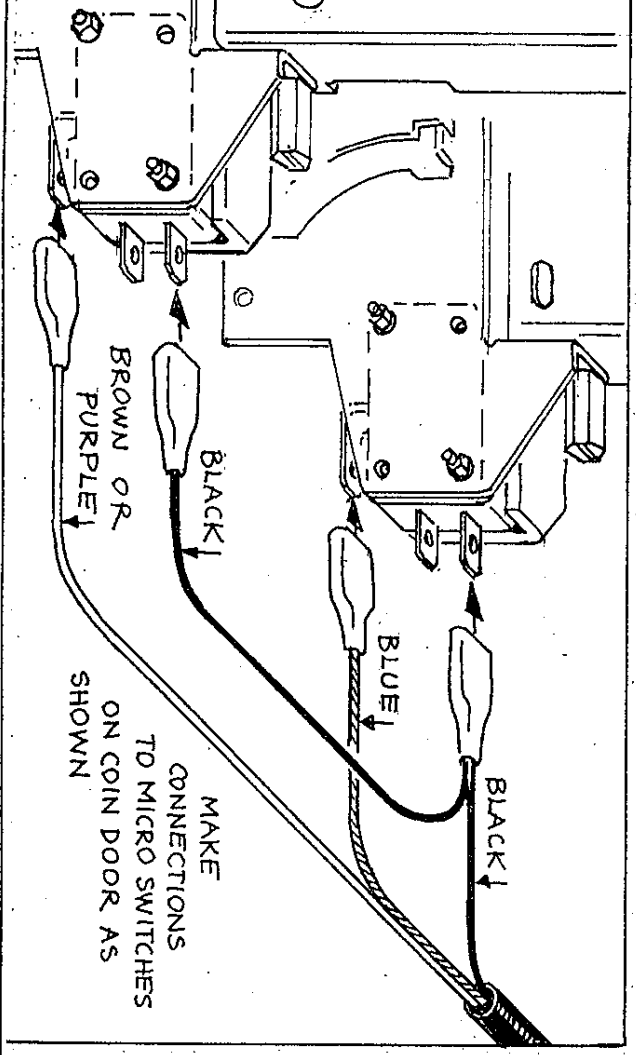
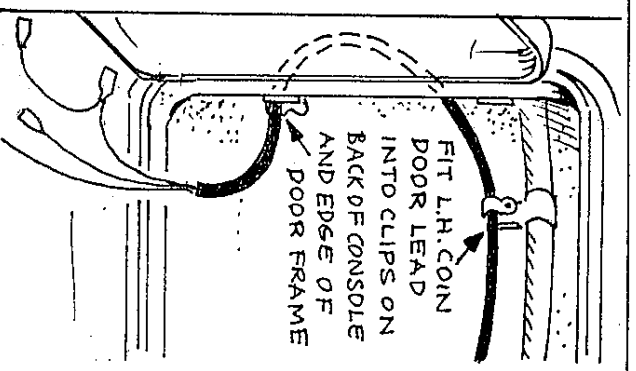
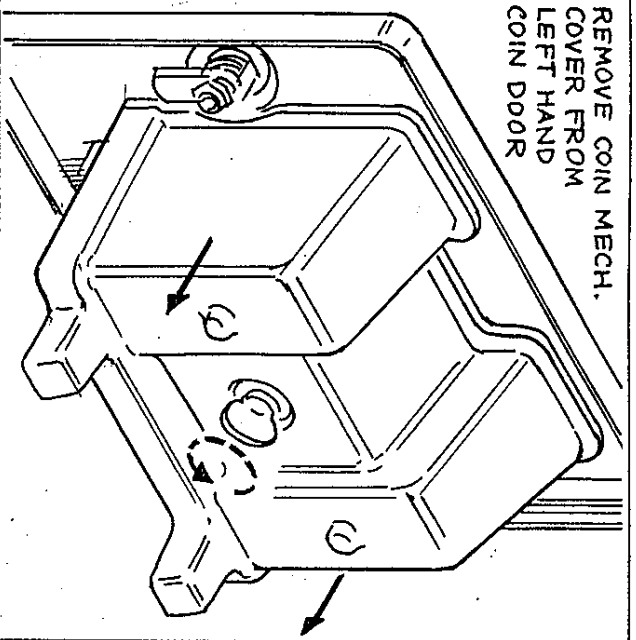
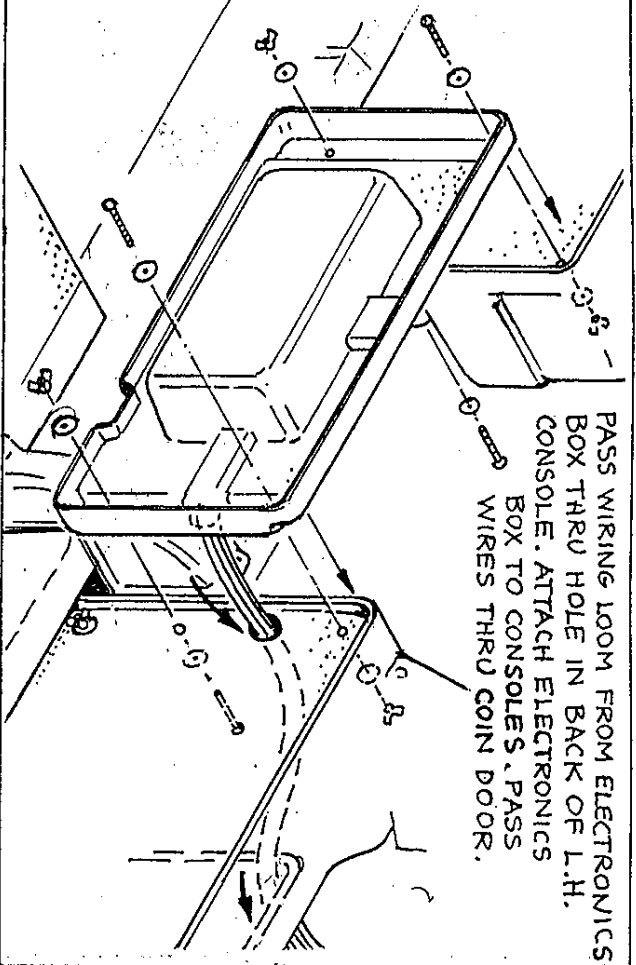


TORNADO

ASSEMBLY INSTRUCTIONS
AQUA BLASTA MEDIEVAL

SHEET 9

INTERNATIONAL

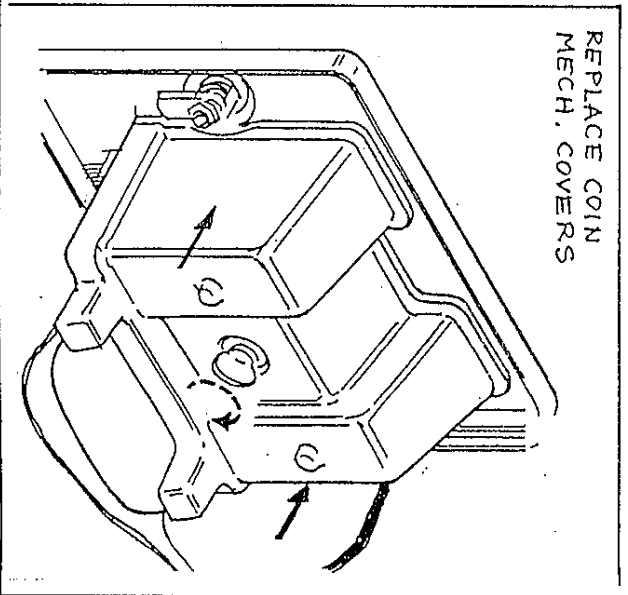
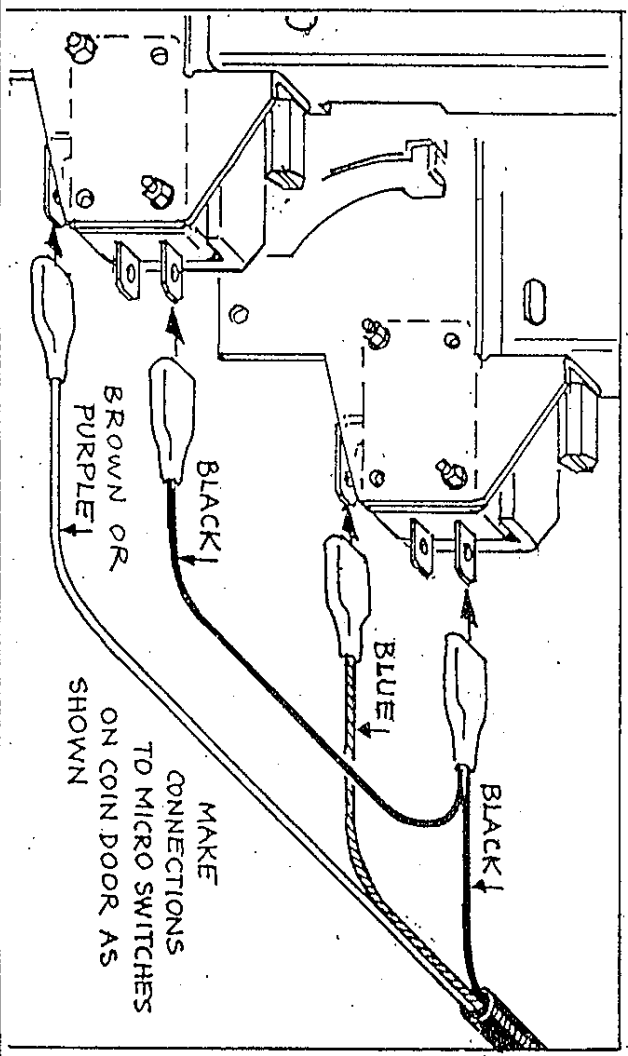
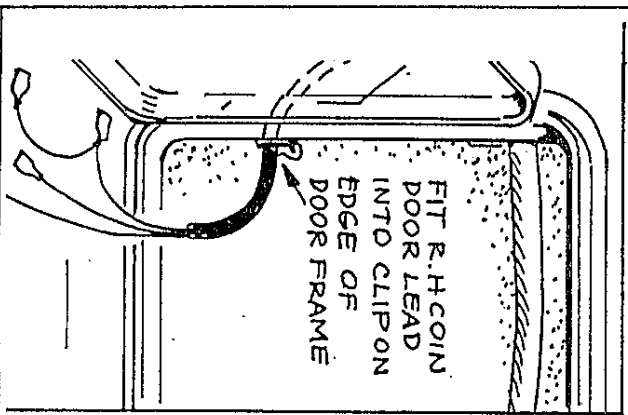
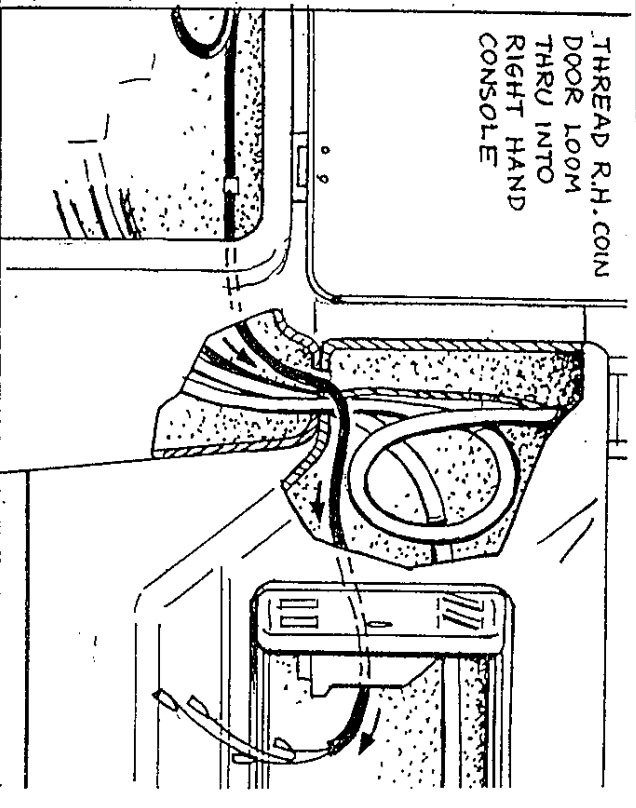
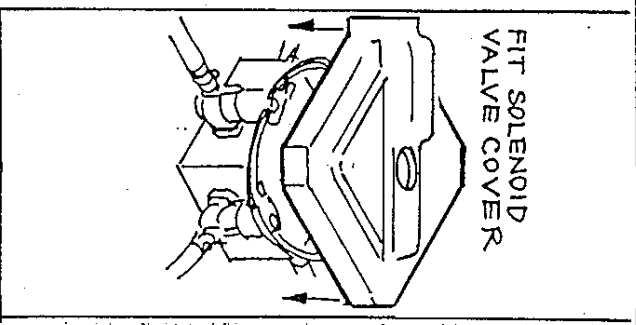
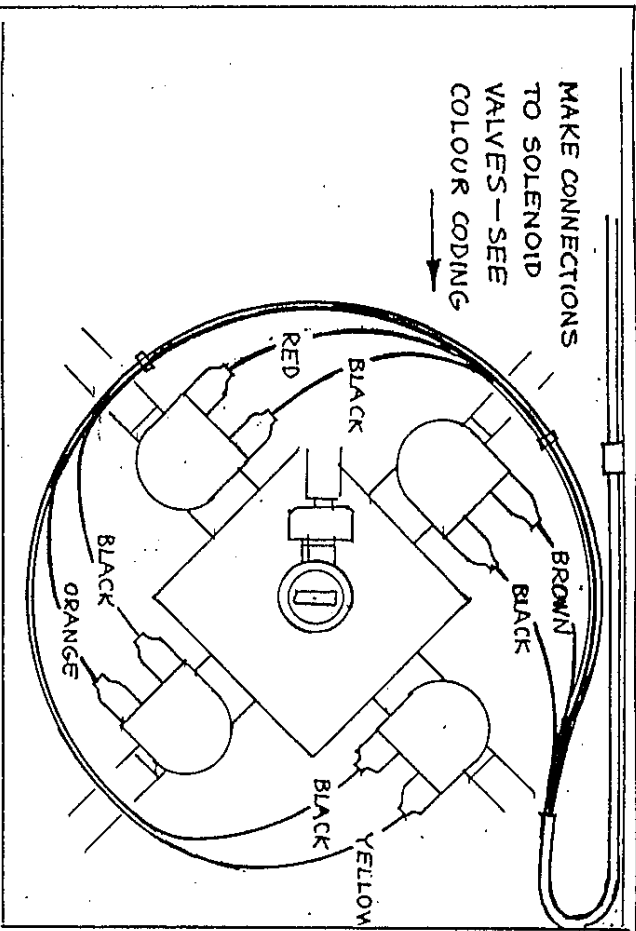


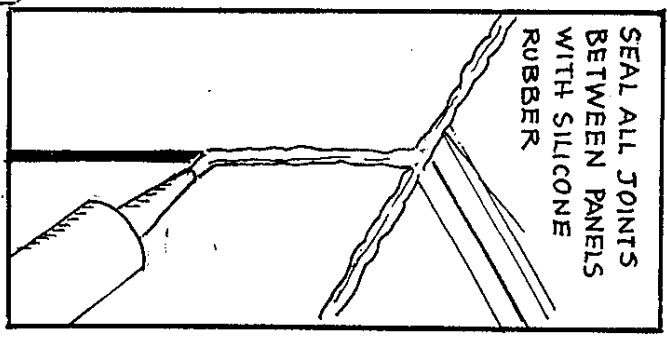
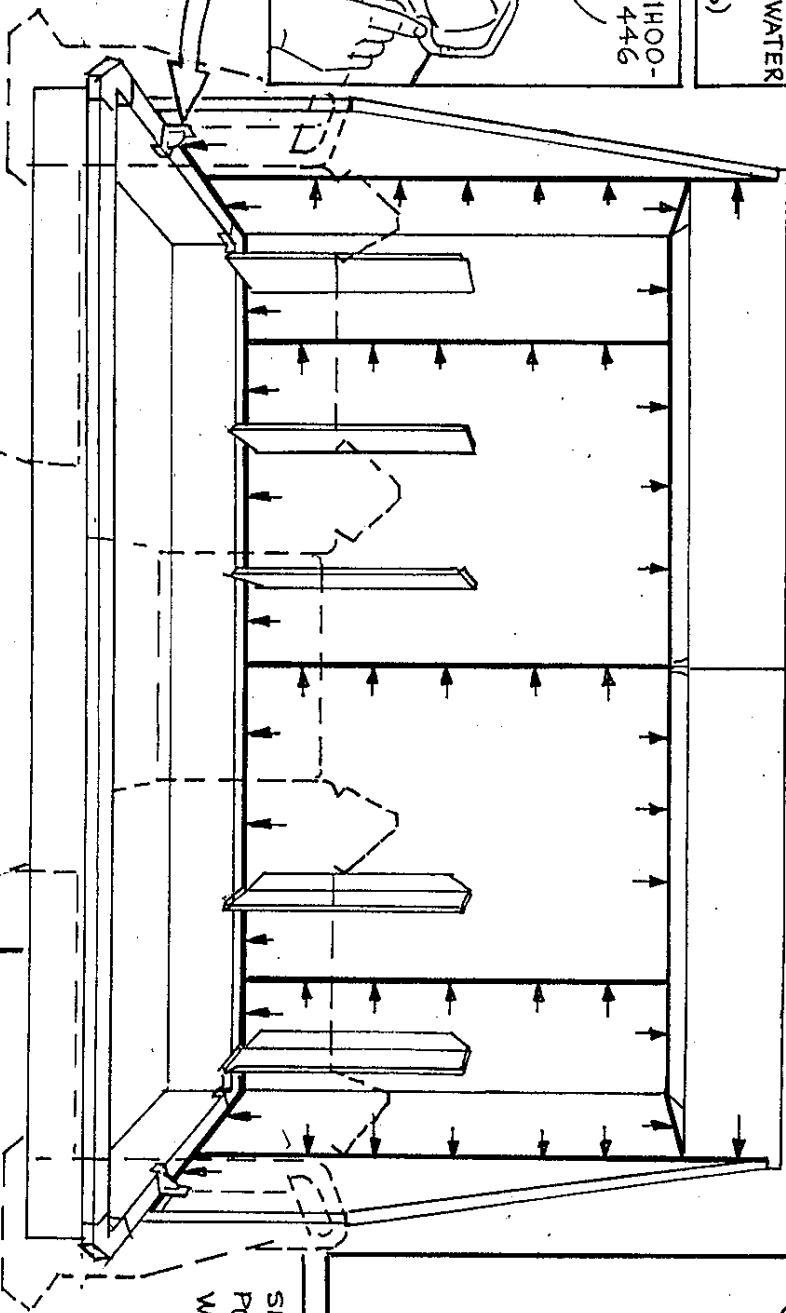
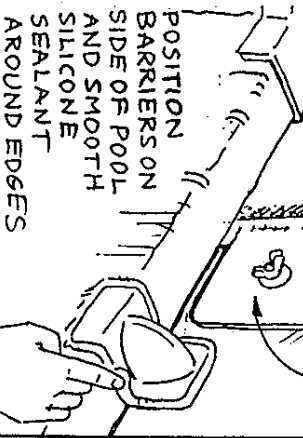
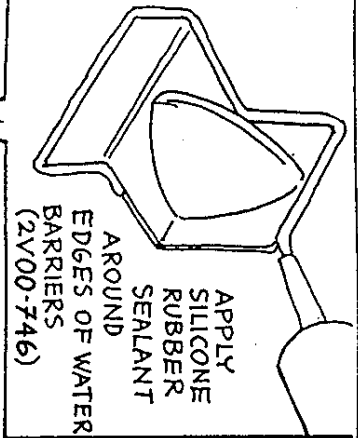
TORNADO

ASSEMBLY INSTRUCTIONS
AQUA BLASTA MEDIEVAL

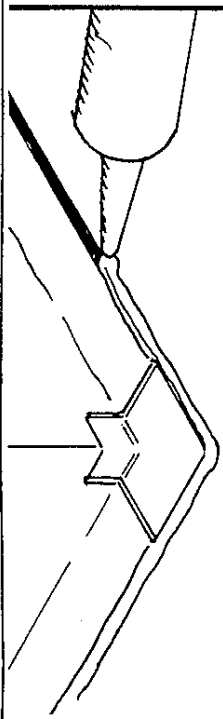
INTERNATIONAL

SHEET 10





SEAL JOINTS BETWEEN POOL & CABINET PANELS WITH SILICONE RUBBER

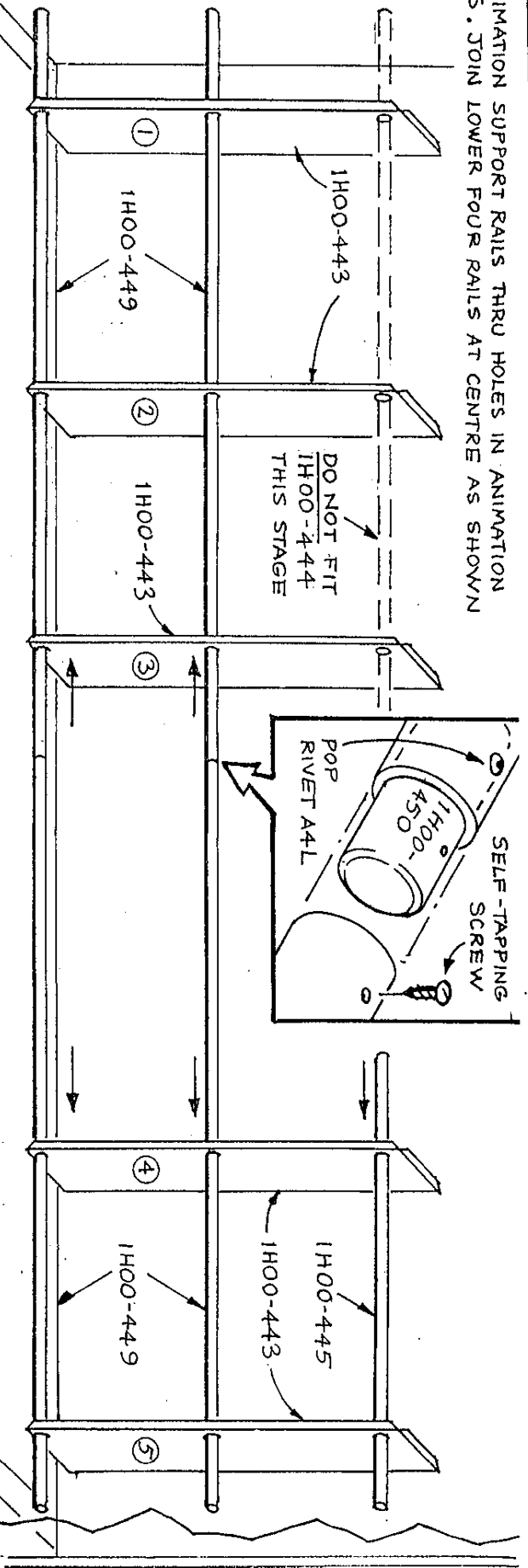


TORNADO
INTERNATIONAL

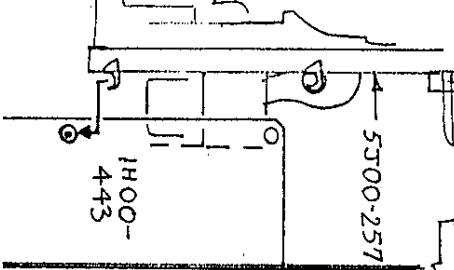
ASSEMBLY INSTRUCTIONS
AQUA BLASTA MEDIEVAL

SHEET 12

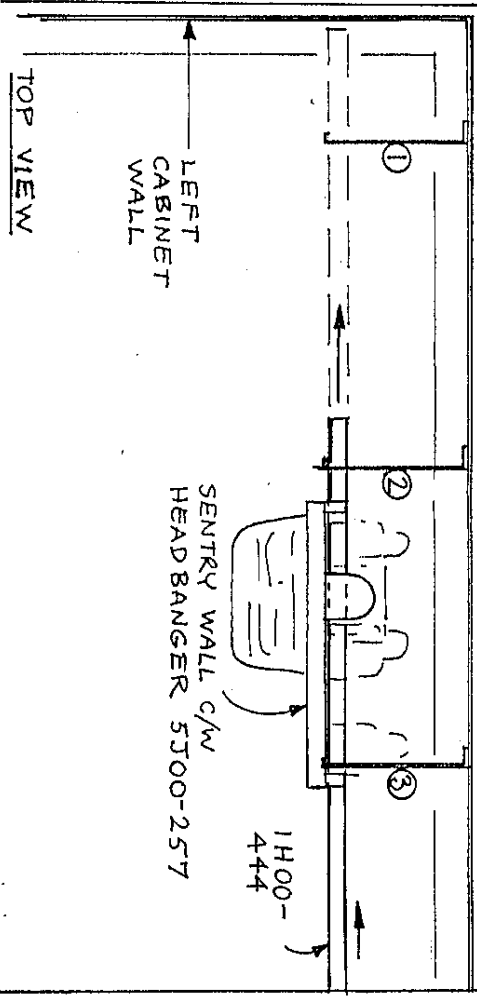
SLIDE ANIMATION SUPPORT RAILS THRU HOLES IN ANIMATION BRACKETS. JOIN LOWER FOUR RAILS AT CENTRE AS SHOWN



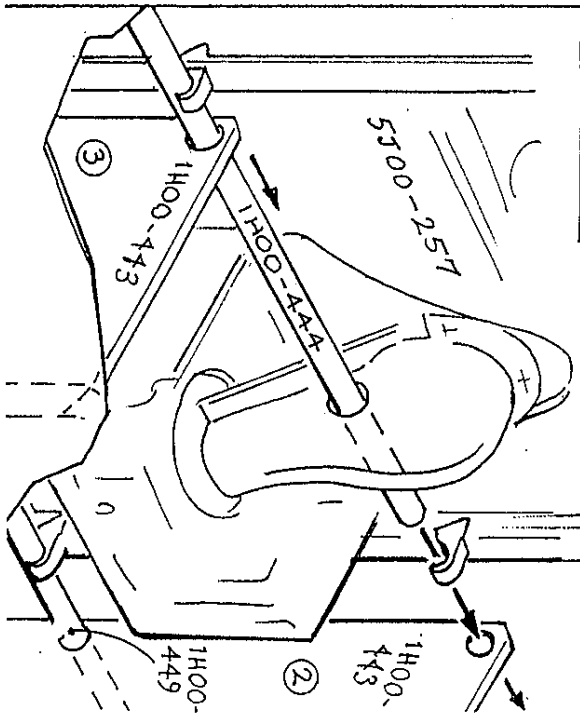
CLIP SENTRY WALL /HEAD BANGER ANIMATION(5700-257) ONTO CENTRE RAIL IN POSITION SHOWN



POSITION ANIMATION WITH THE RIGHT HAND CLIPS SLIGHTLY TO THE RIGHT OF THE THIRD ANIMATION BRACKET (FROM LEFT) AND SLIDE TOP RAIL (1H00-444) THROUGH CLIPS, HOLES IN BRACKETS AND HOLES IN ANIMATION MOULDING. SEE



REAR VIEW

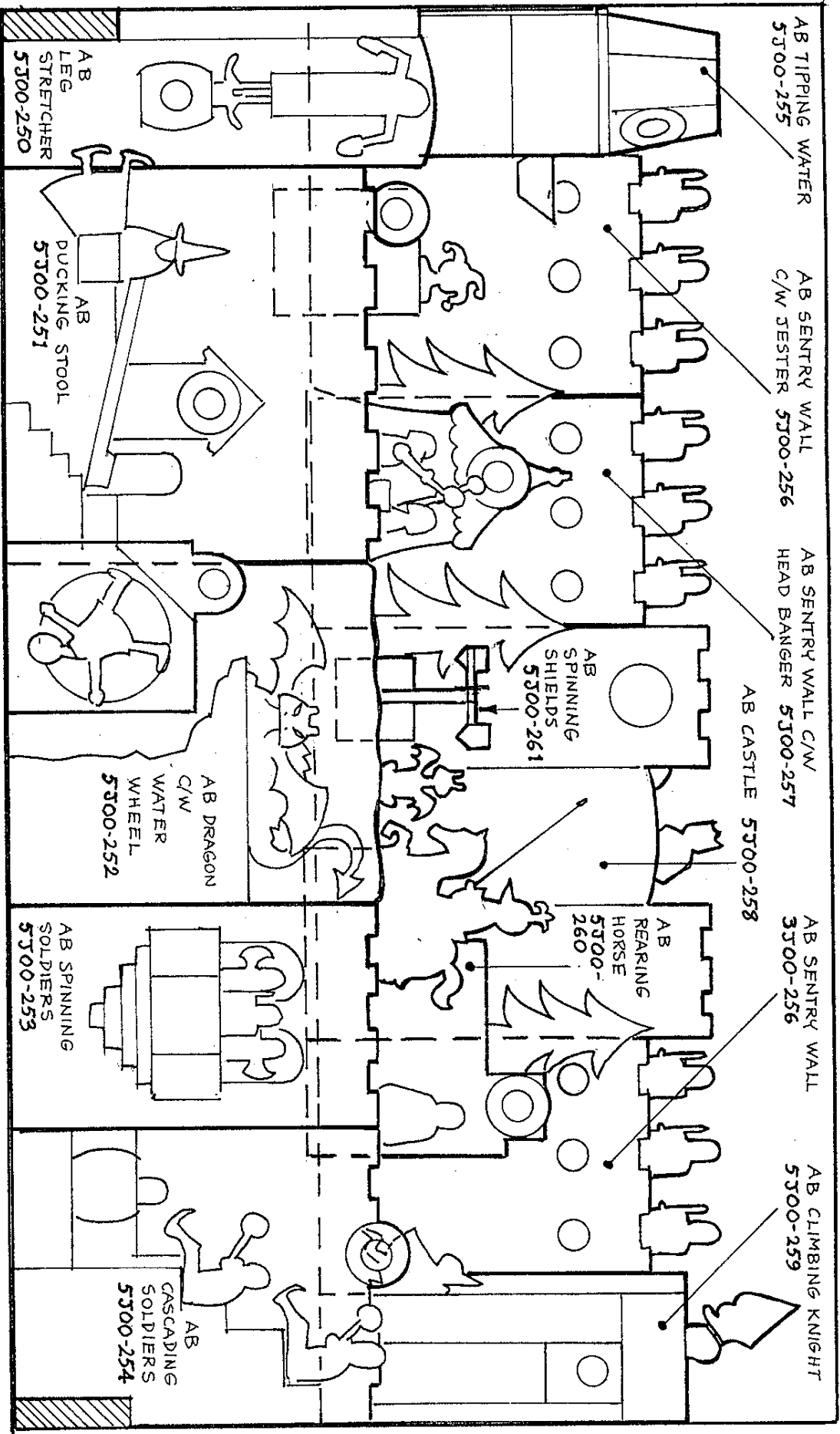


TORNADO

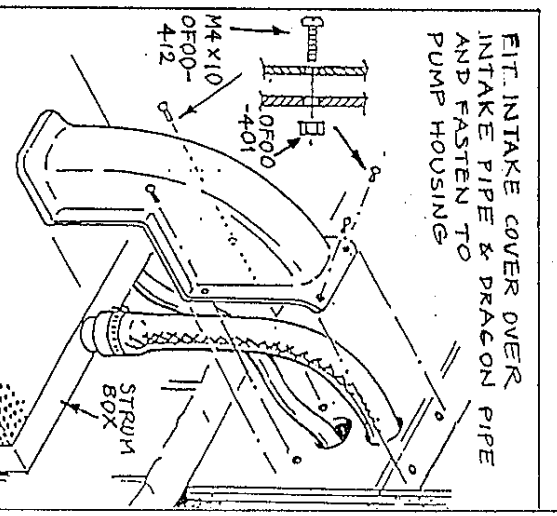
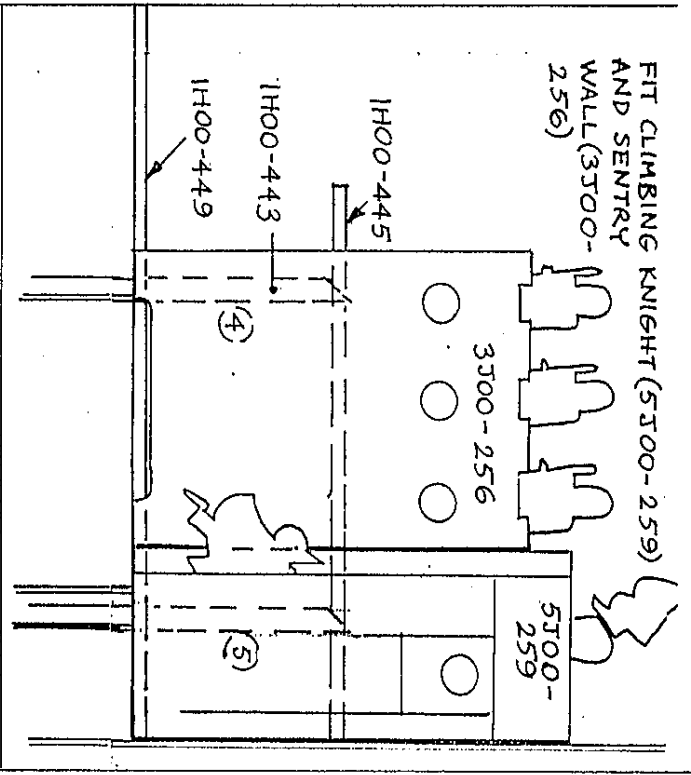
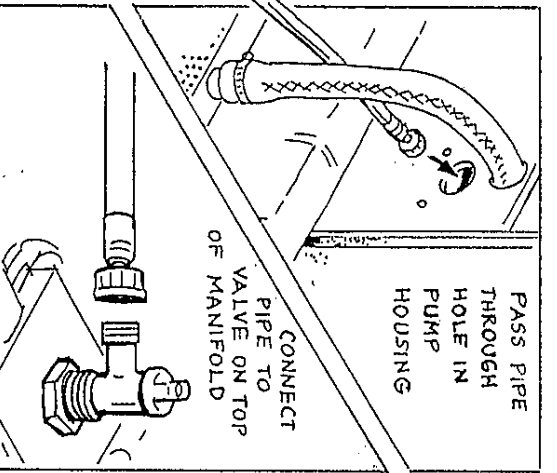
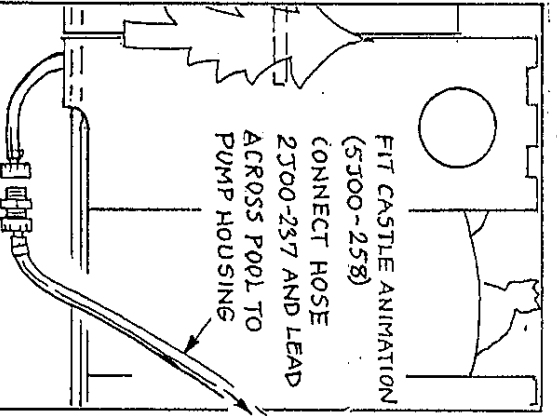
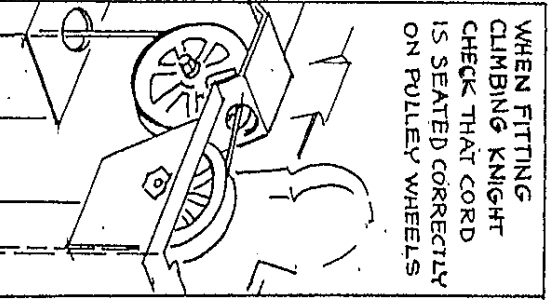
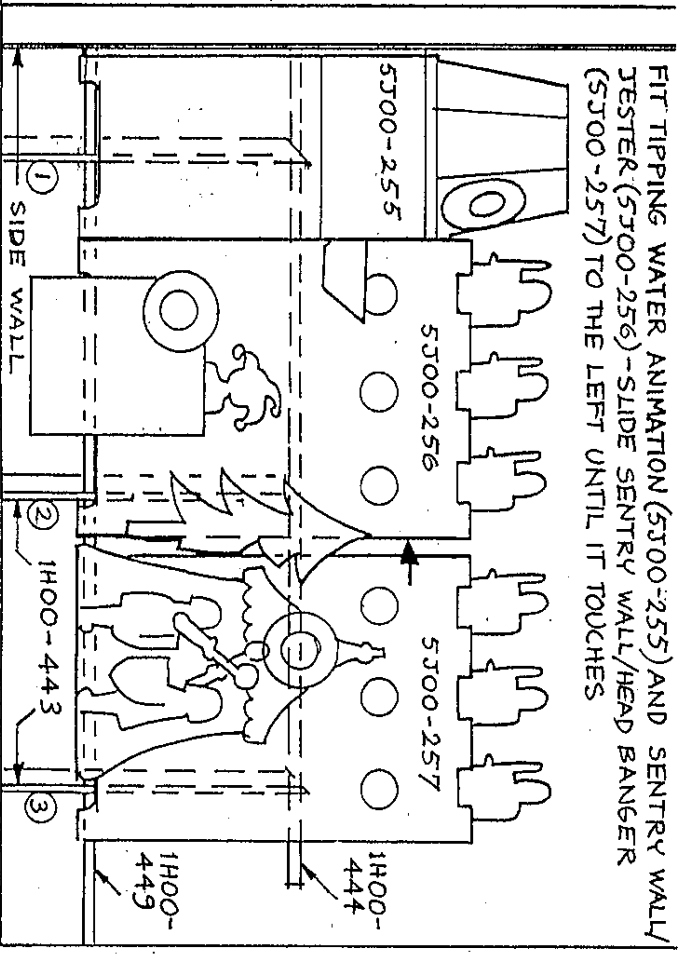
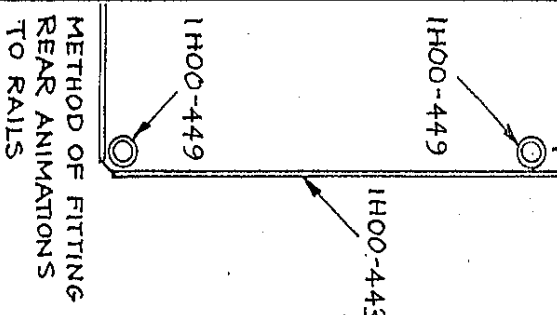
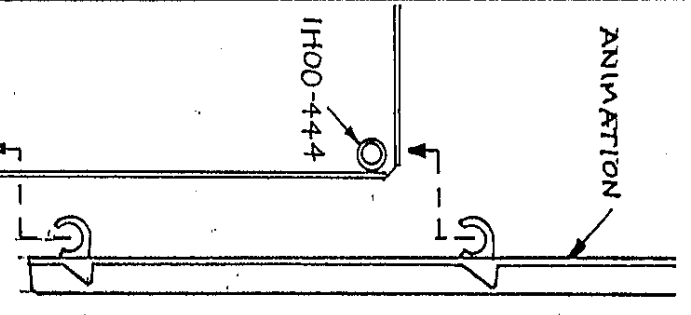
INTERNATIONAL

ASSEMBLY INSTRUCTIONS
AQUA BLASTA MEDIEVAL

SHEET 13



GENERAL ARRANGEMENT OF ANIMATIONS



TORNADO

INTERNATIONAL

ASSEMBLY INSTRUCTIONS AQUA BLASTA MEDIEVAL

