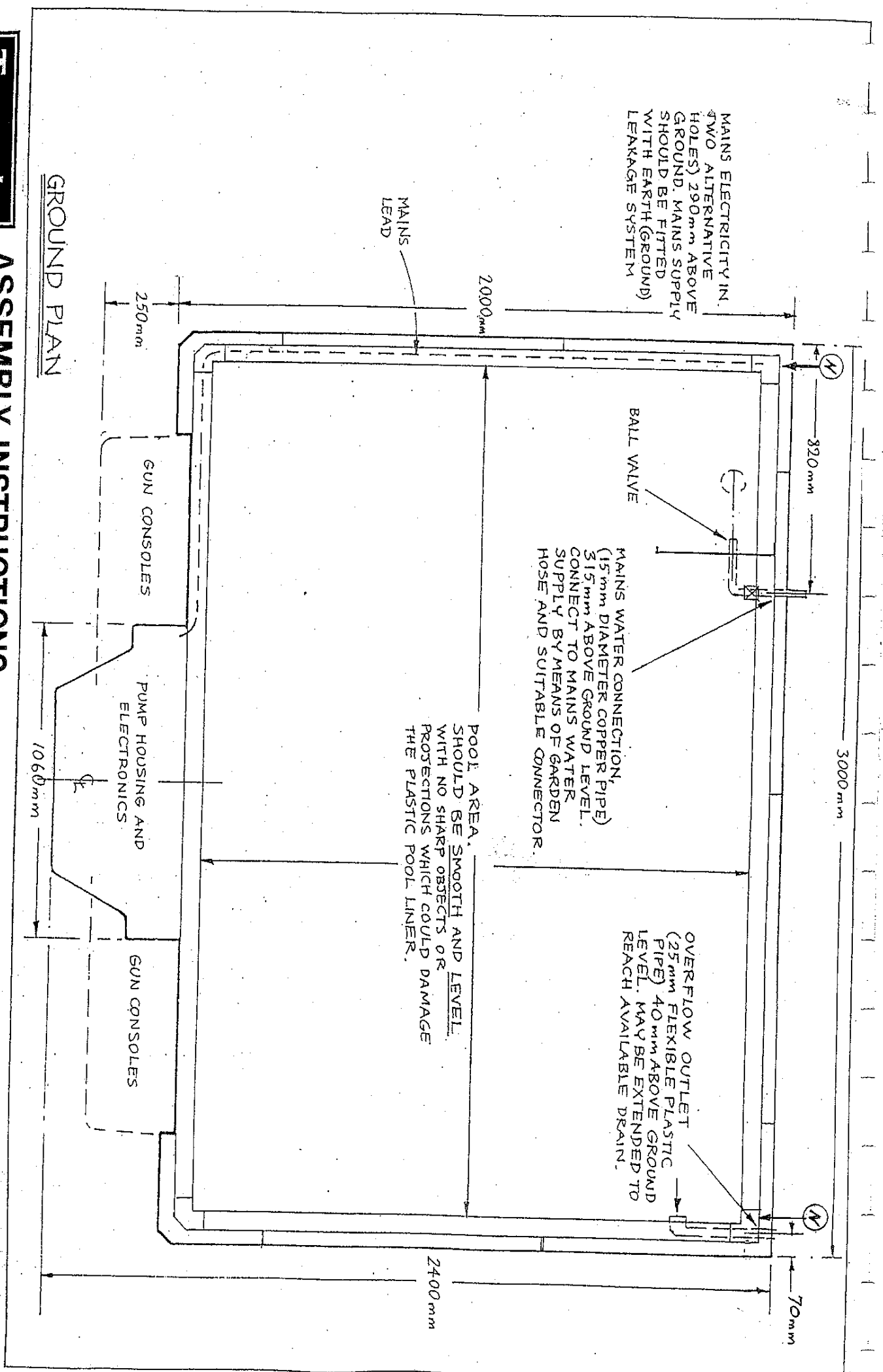
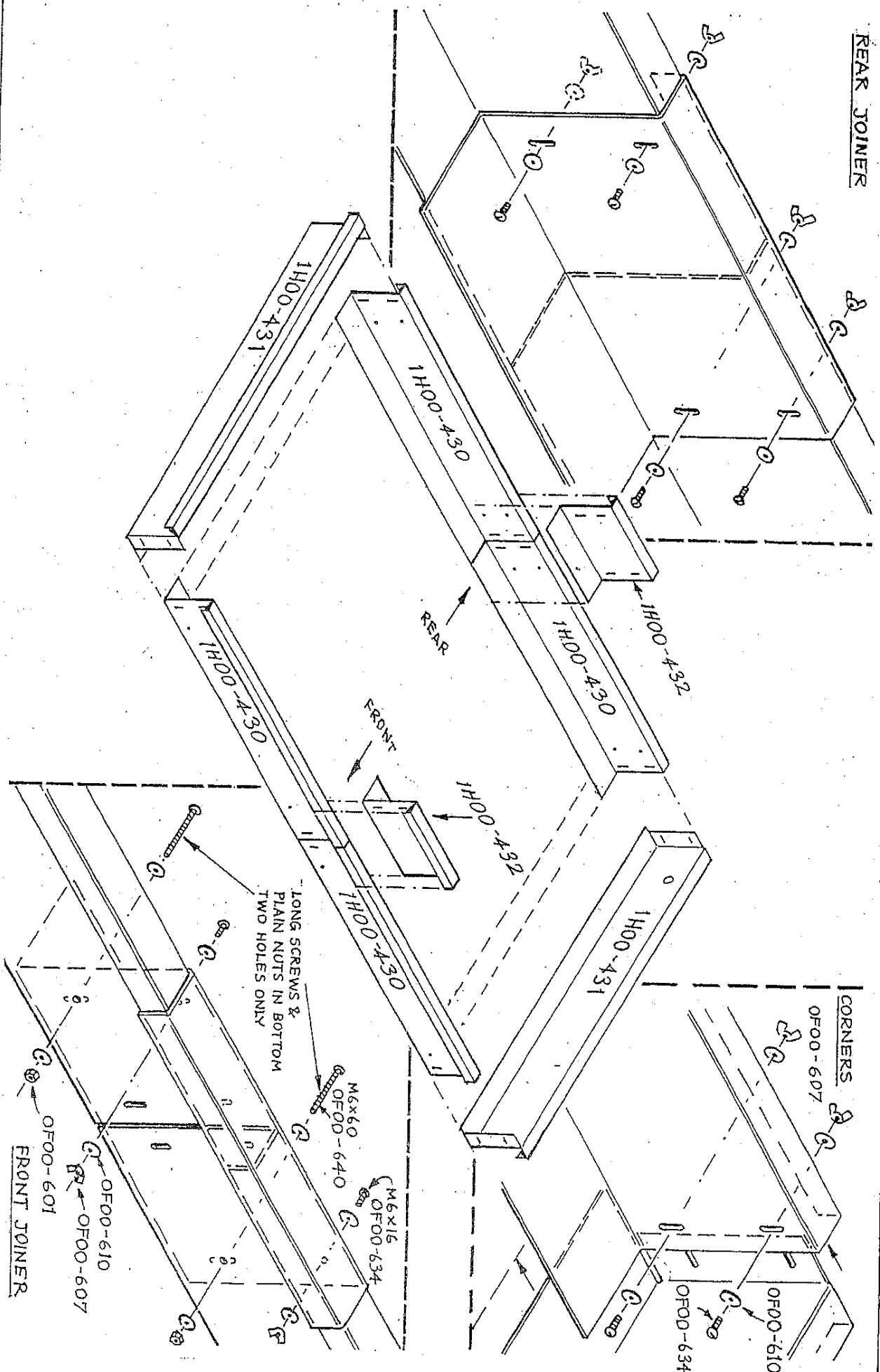


ASSEMBLY INSTRUCTIONS
AQUA BLASTA FIRE



REAR JOINER

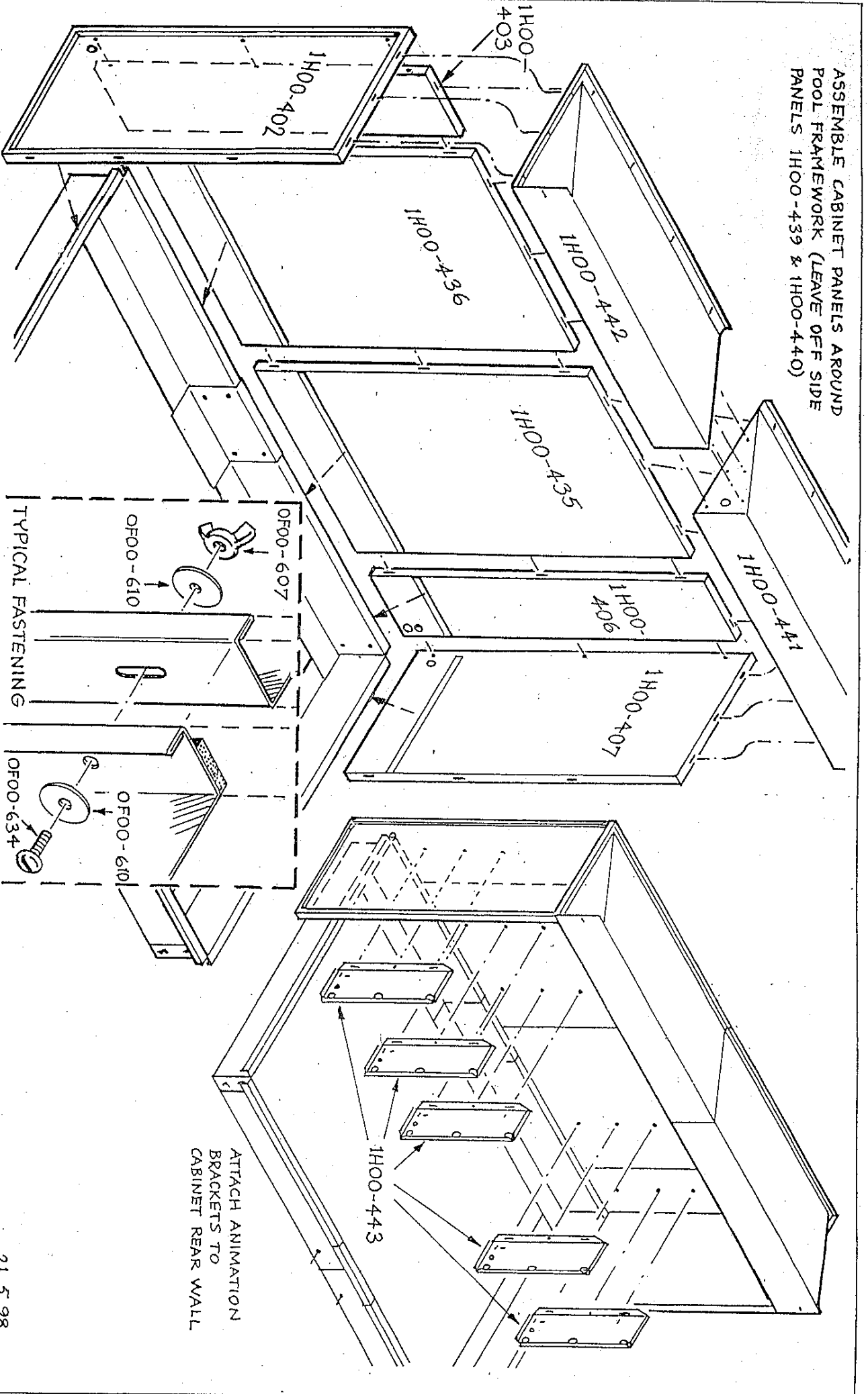


TORNADO

INTERNATIONAL

ASSEMBLY INSTRUCTIONS
AQUA BLASTA FIRE

ASSEMBLE CABINET PANELS AROUND
POOL FRAMEWORK (LEAVE OFF SIDE
PANELS 1H00-439 & 1H00-440)

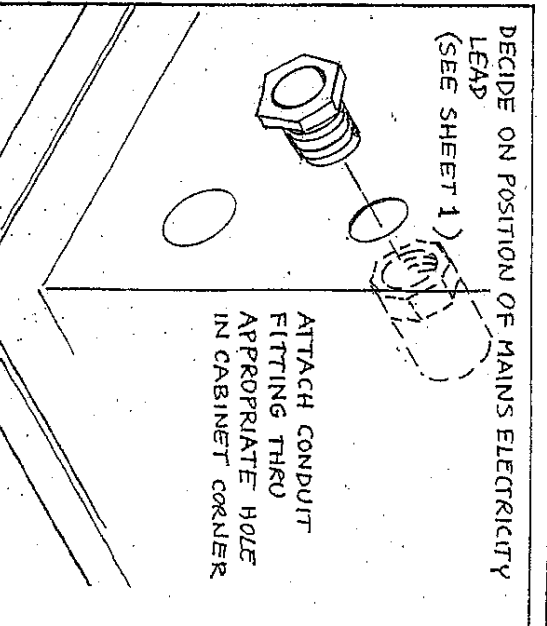
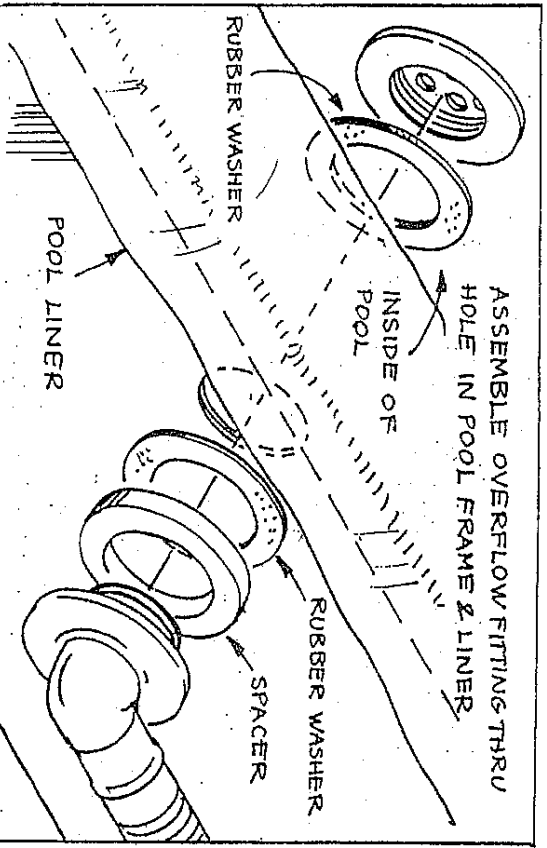
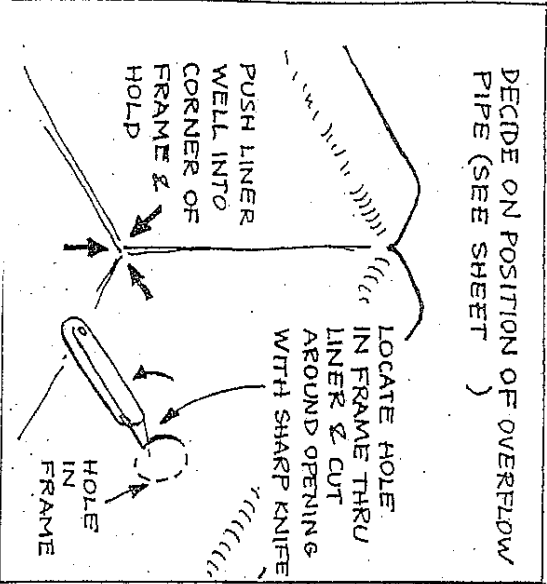
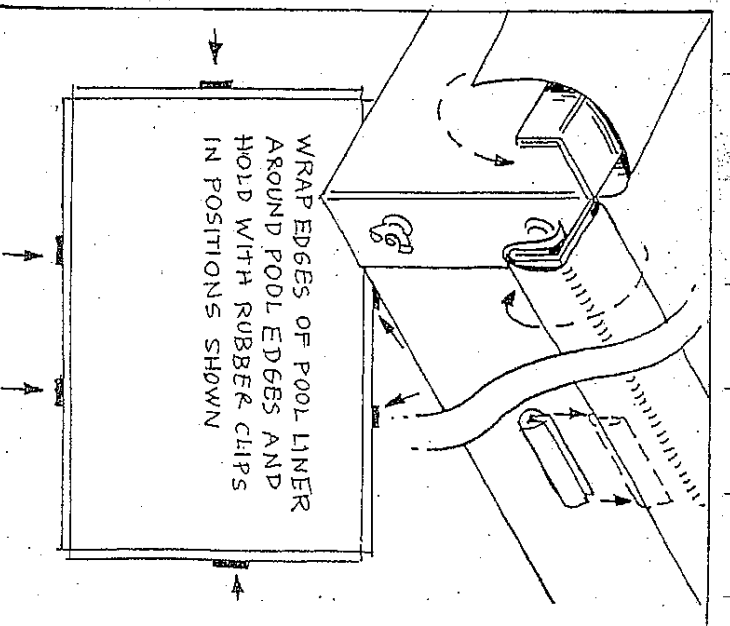
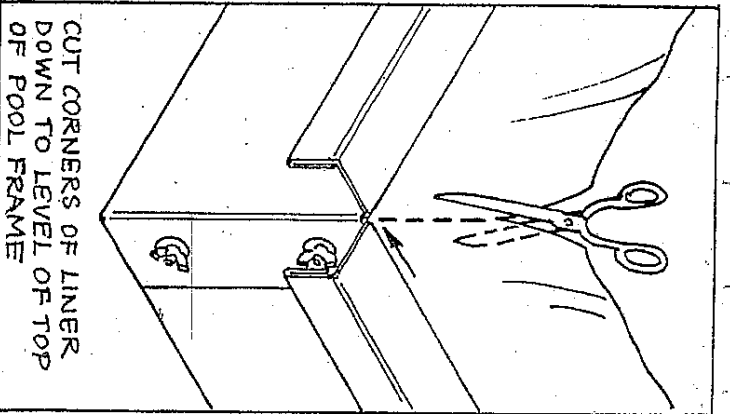
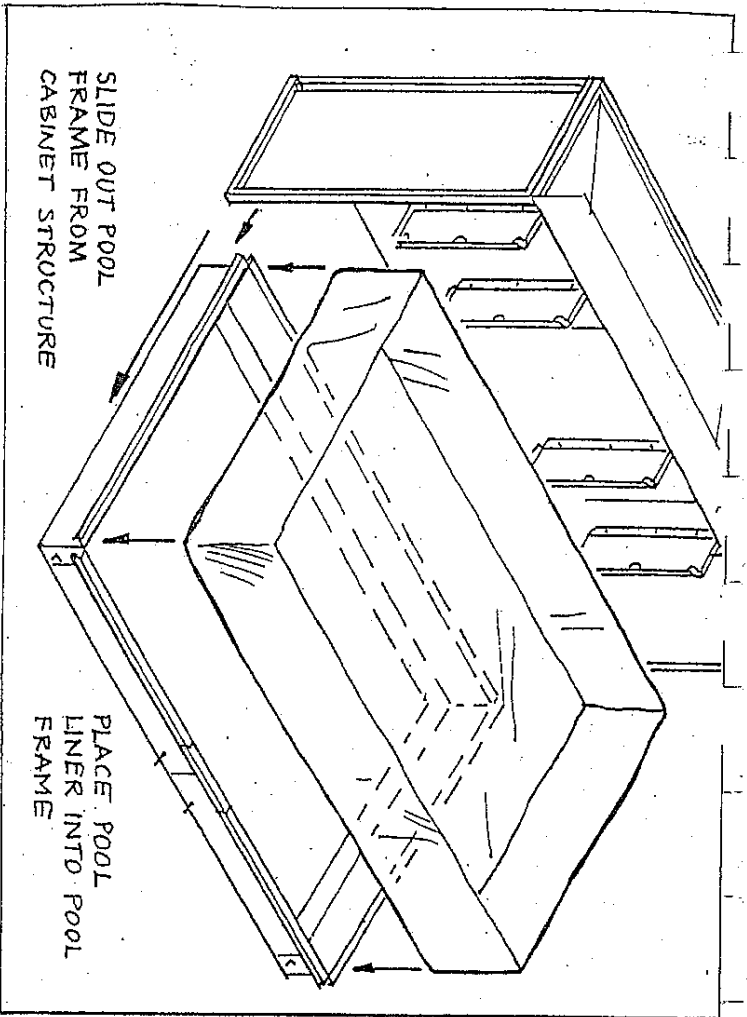


TORNADO
INTERNATIONAL

ASSEMBLY INSTRUCTIONS
AQUA BLASTA FIRE

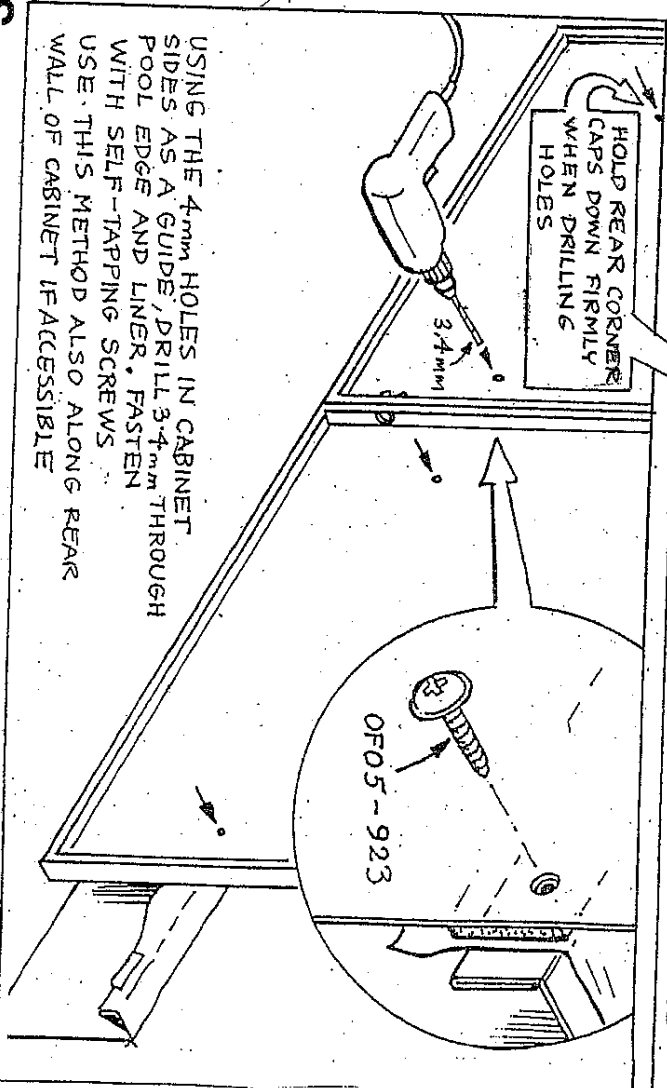
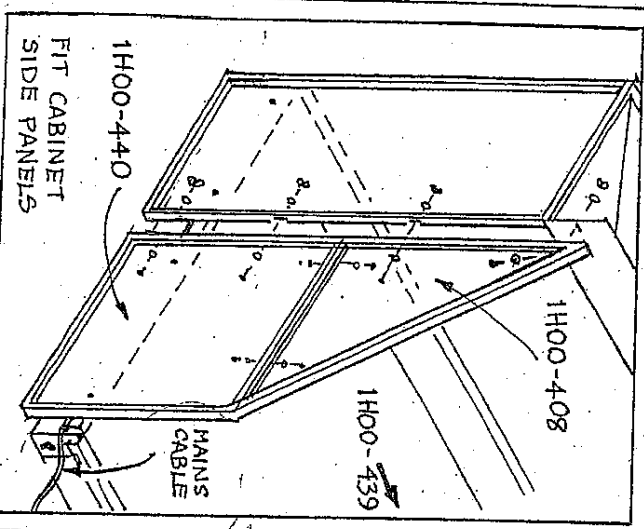
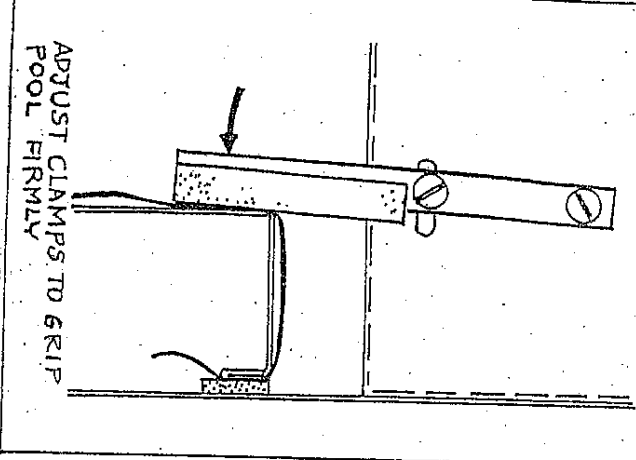
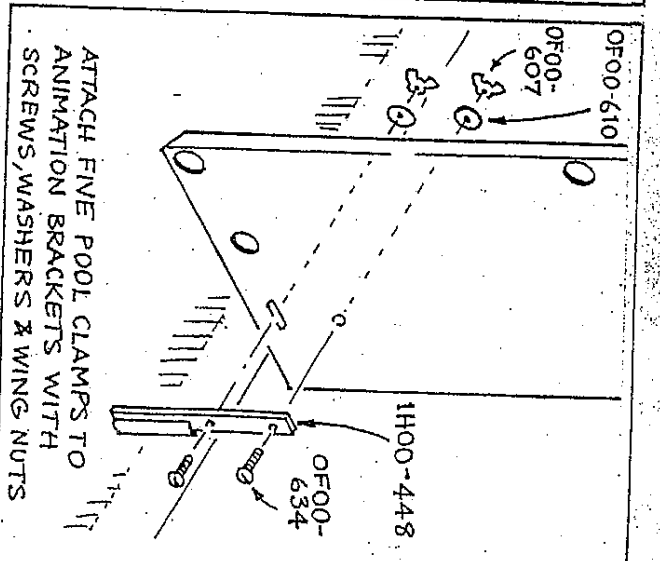
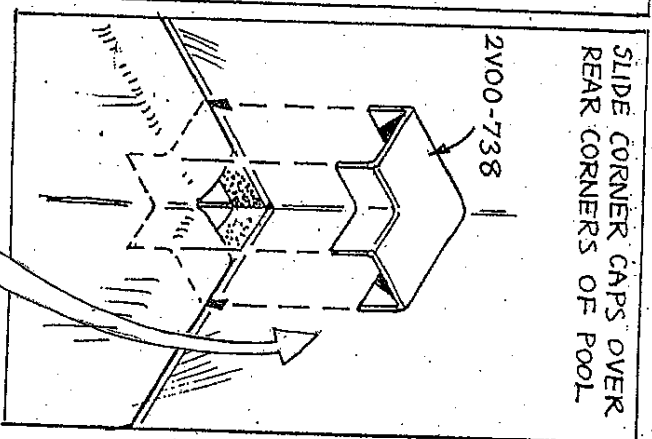
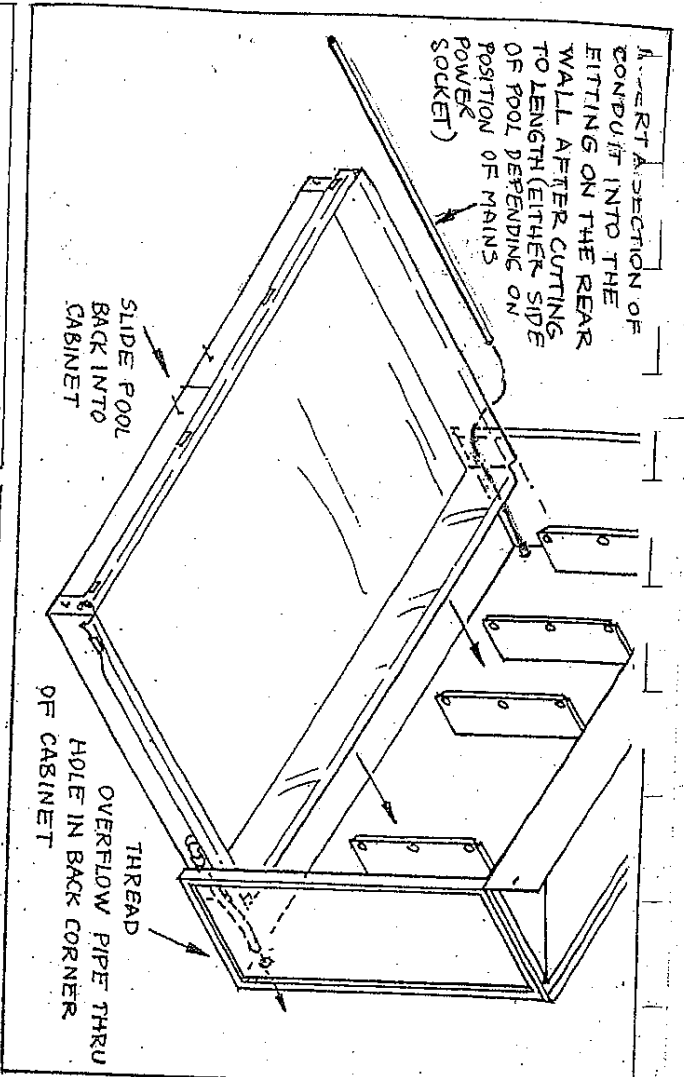
SHEET 3

21.5.98

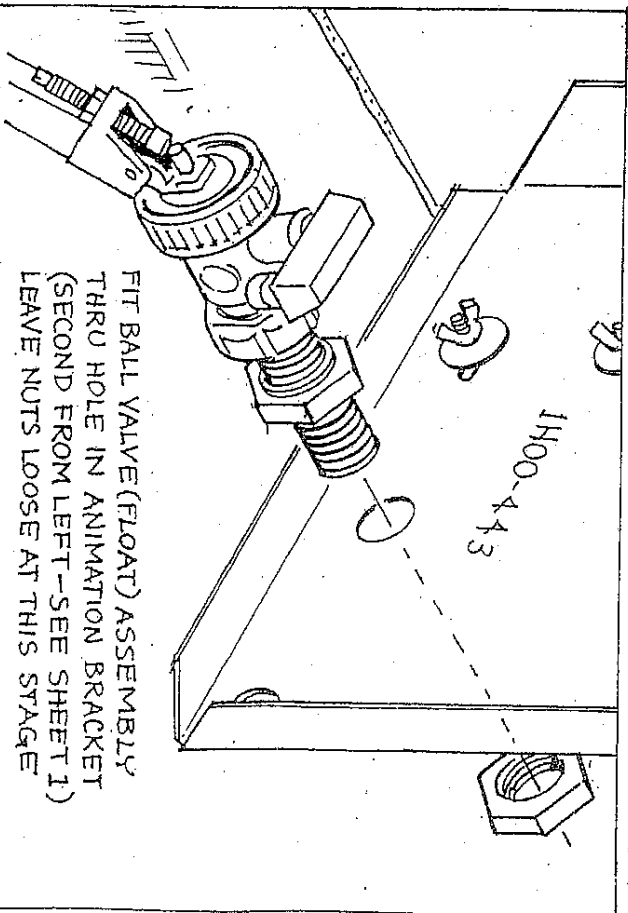
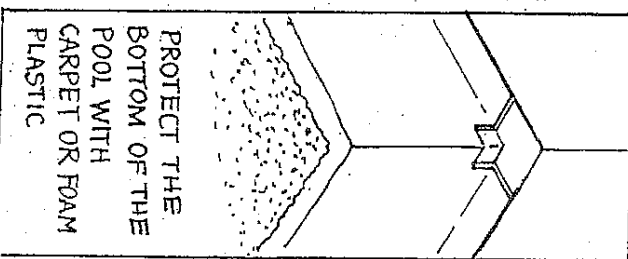
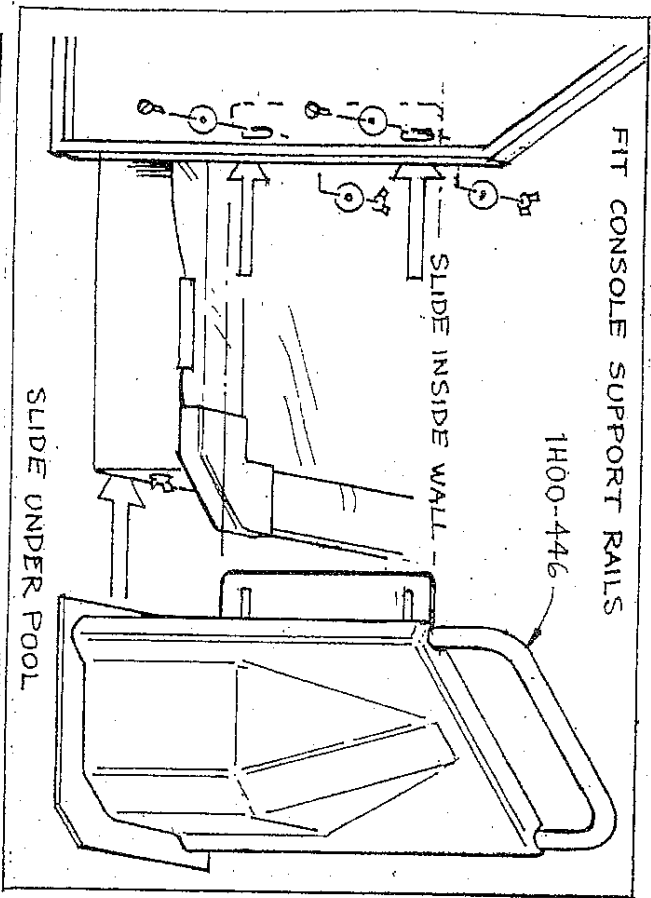
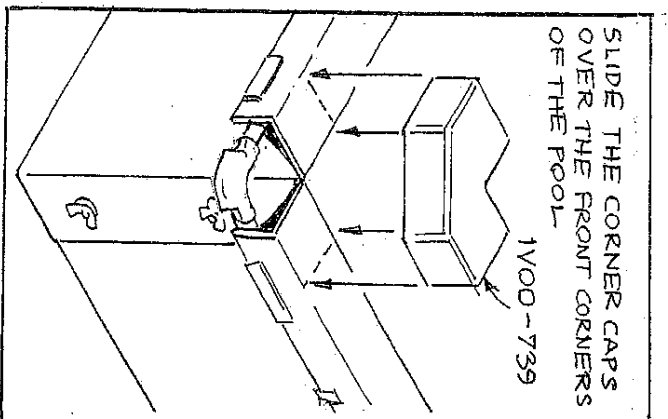
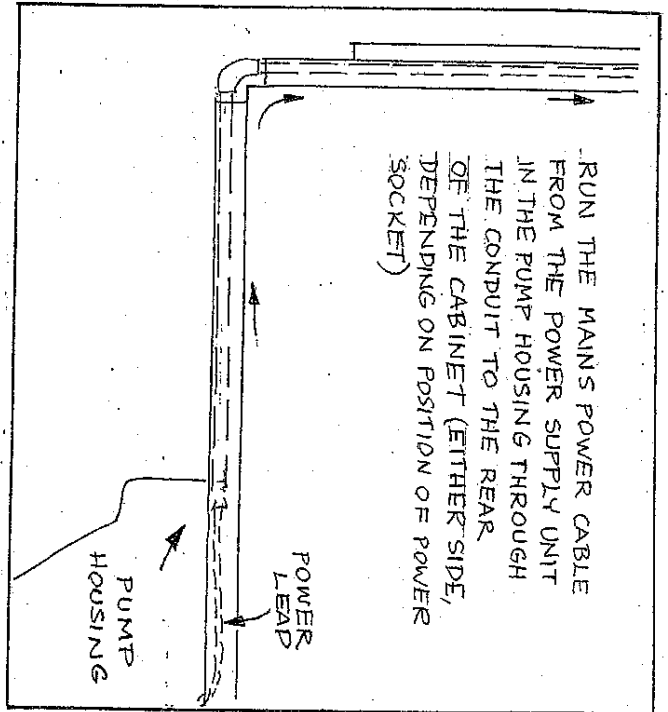
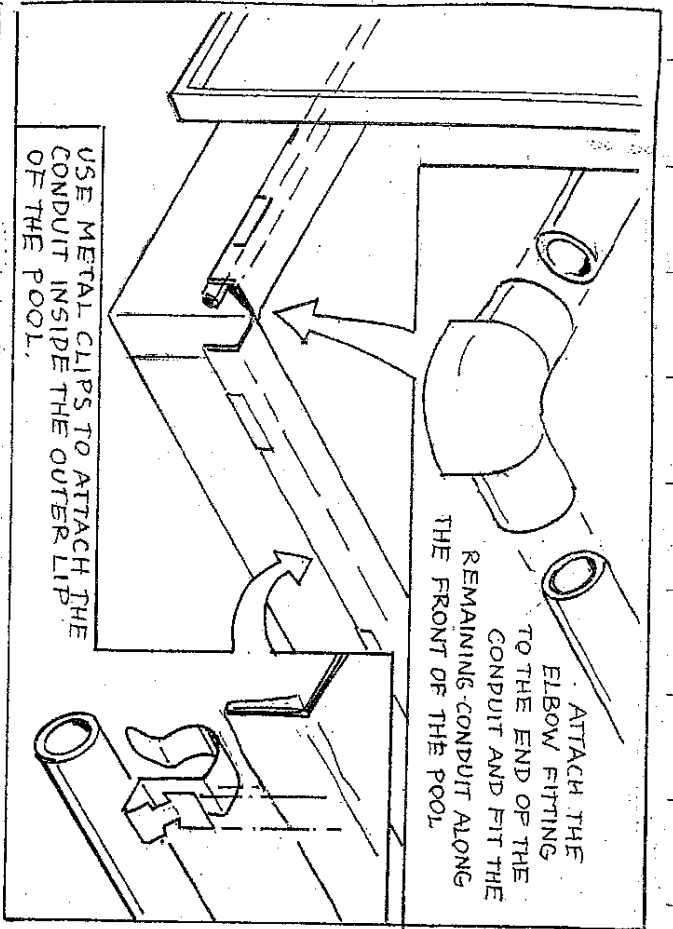


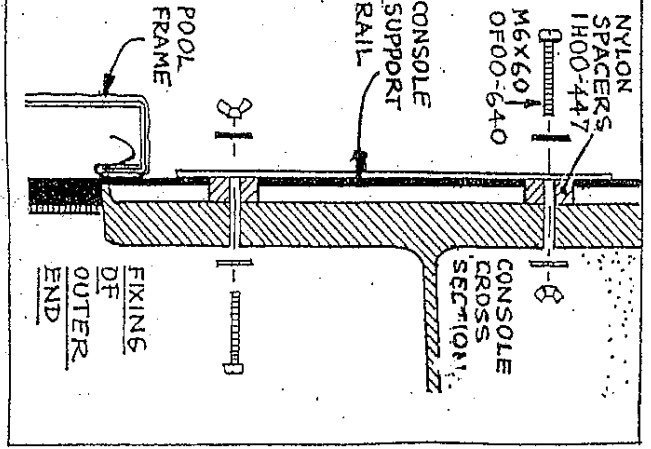
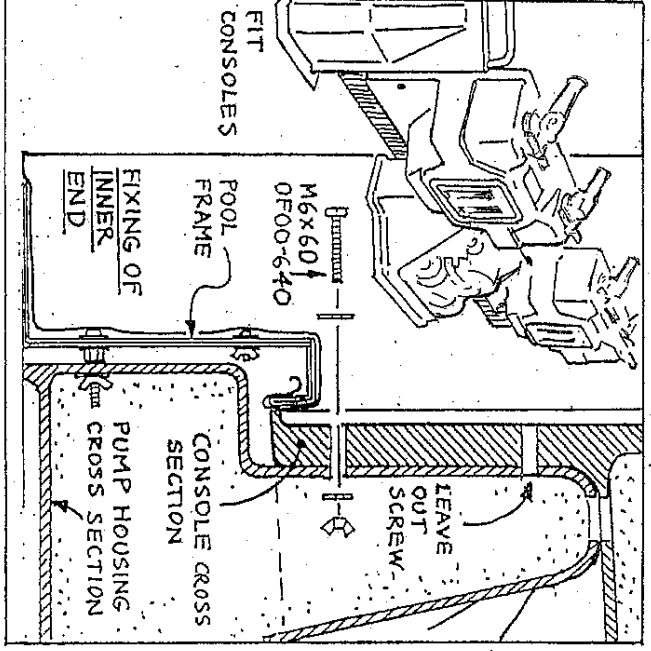
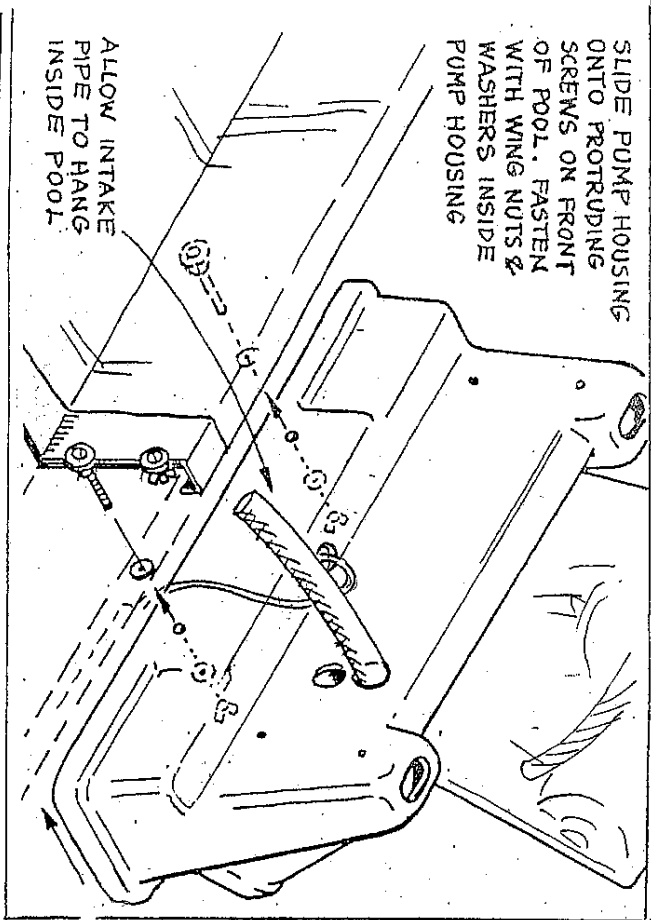
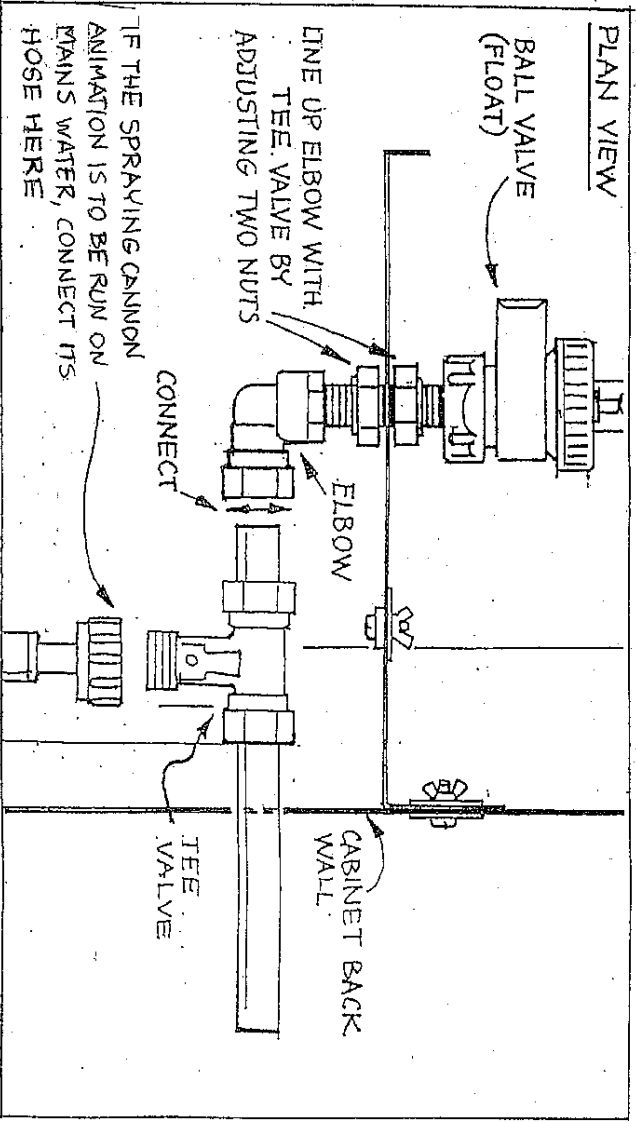
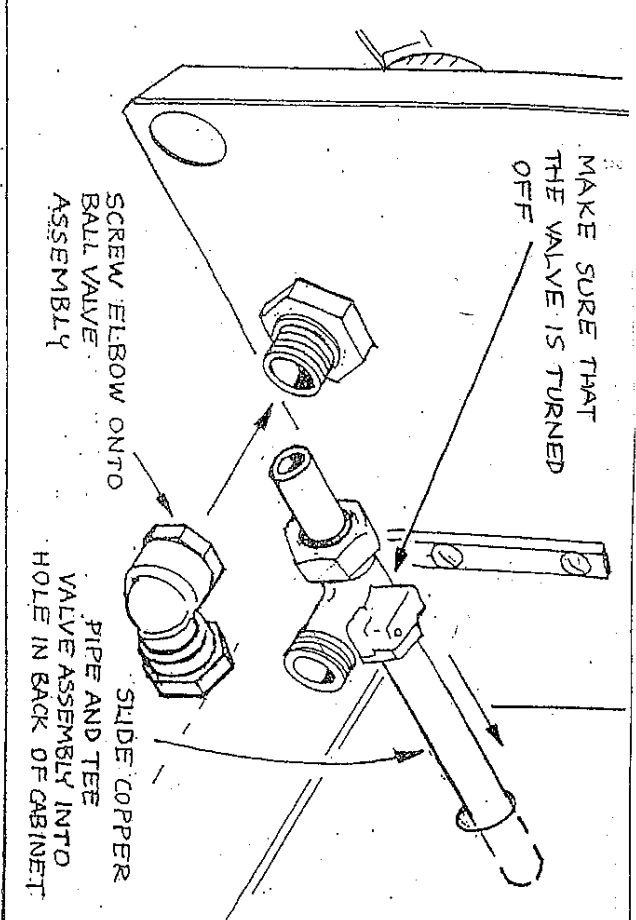
TORNADO
INTERNATIONAL

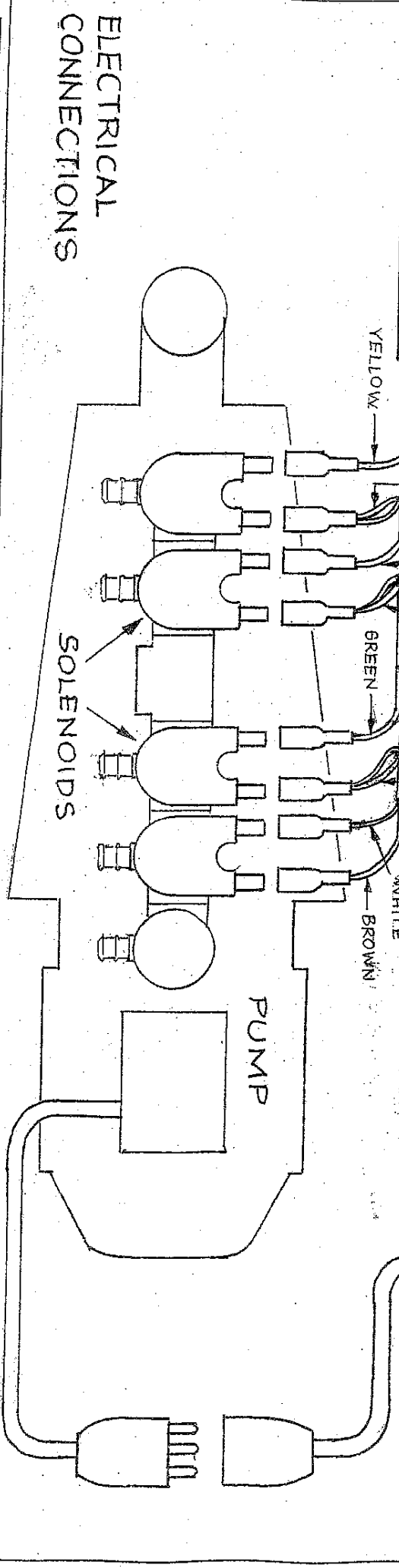
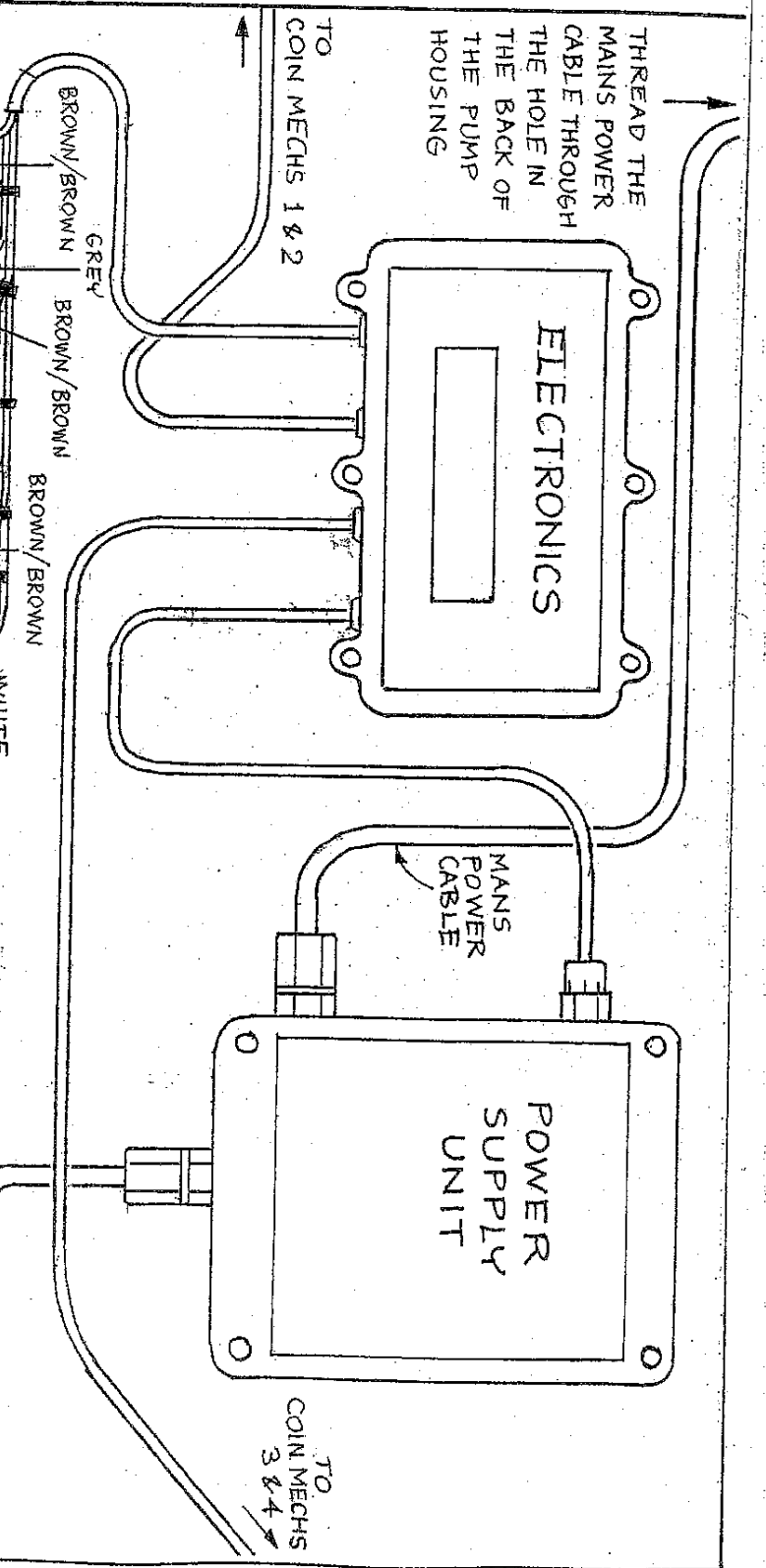
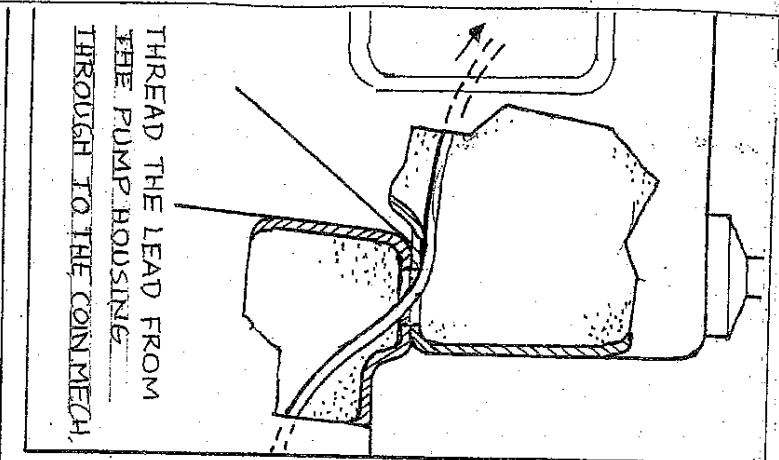
ASSEMBLY INSTRUCTIONS
AQUA BLASTA FIRE



TORNADO
INTERNATIONAL
ASSEMBLY INSTRUCTIONS
AQUA BLASTIA FIRE



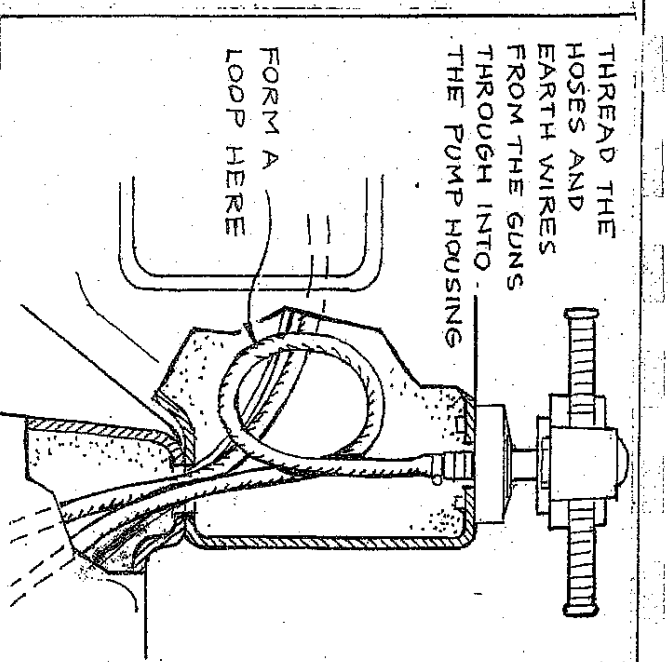
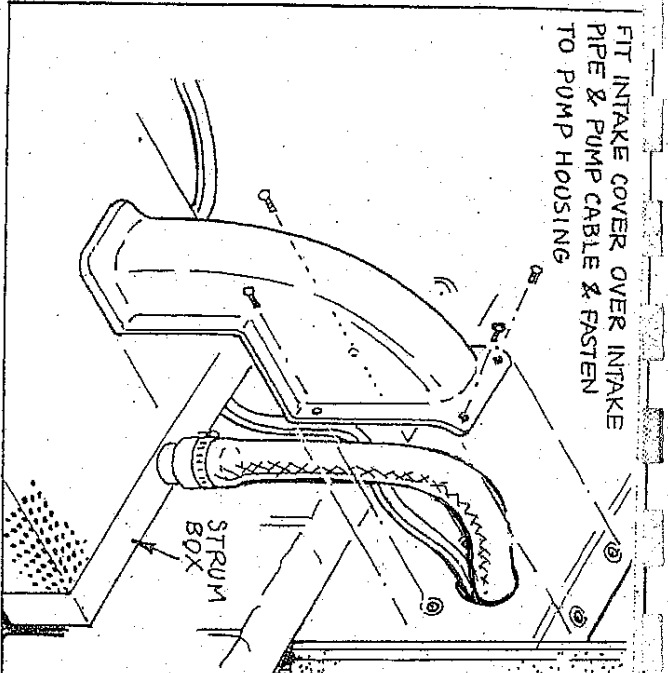
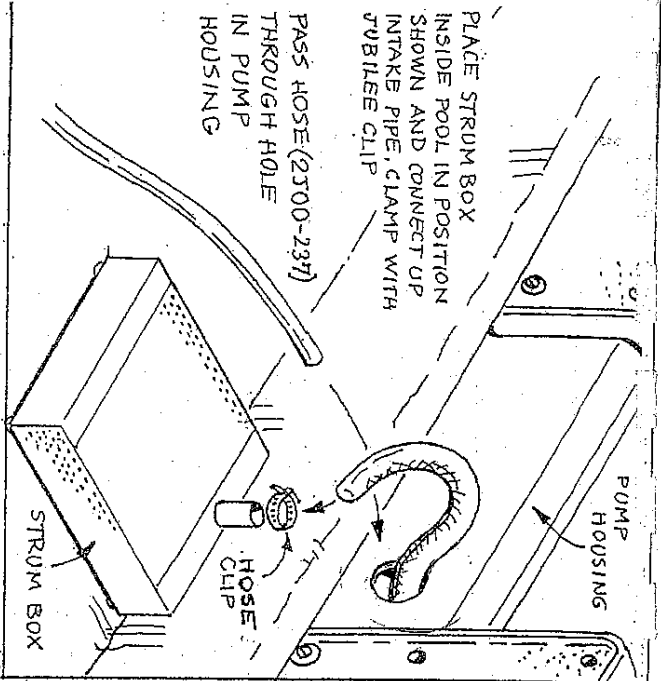




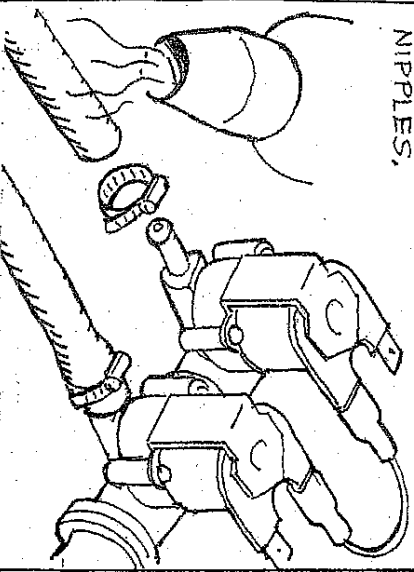
TORNADO
INTERNATIONAL

ASSEMBLY INSTRUCTIONS
AQUA BLASTA FIRE

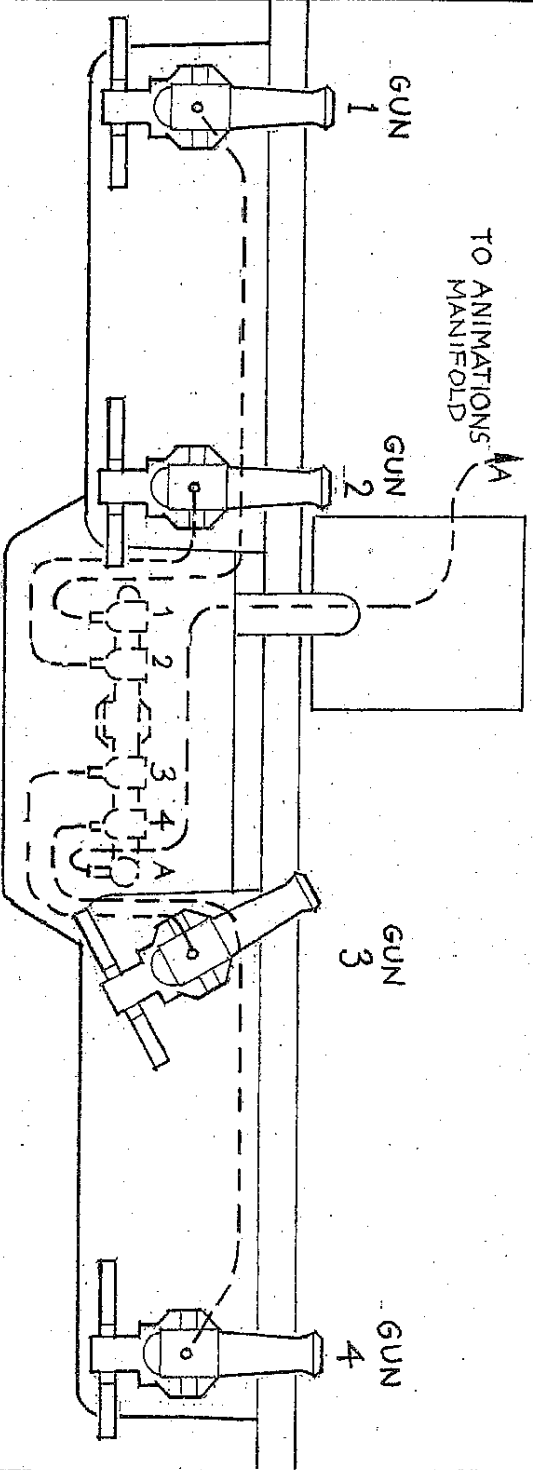
SHEET 8



CONNECT THE GUN HOSES TO THE SOLENOID VALVES ON THE PUMP. SOFTEN THE HOSE ENDS WITH A HEAT GUN BEFORE FITTING OR REMOVING TO PREVENT DAMAGE TO THE VALVE NIPPLES.



PUMP MANIFOLD HOSE CONNECTIONS



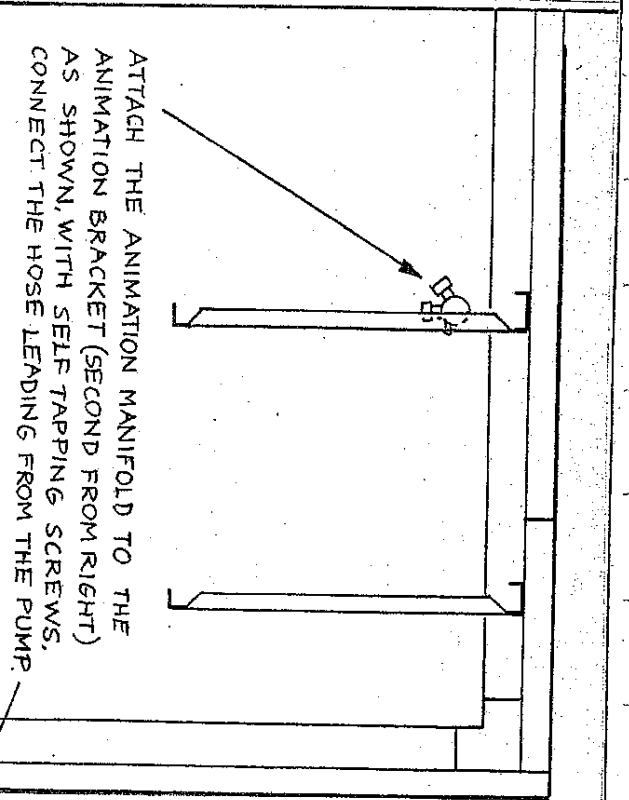
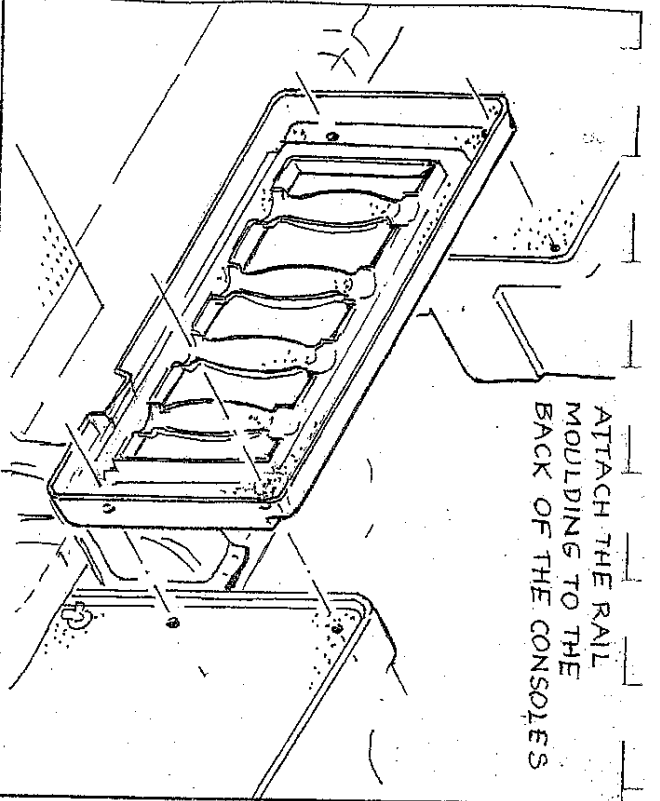
TORNADO

ASSEMBLY INSTRUCTIONS
AQUA BLASTA FIRE

SHEET 9

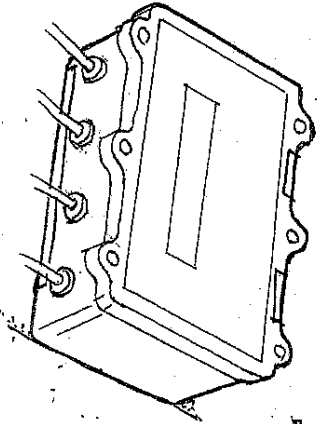
INTERNATIONAL

ATTACH THE RAIL
MOULDING TO THE
BACK OF THE CONSOLES

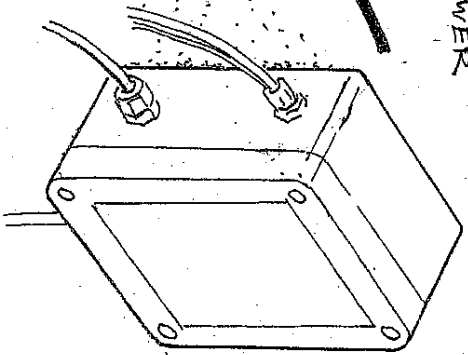


ATTACH THE ANIMATION MANIFOLD TO THE
ANIMATION BRACKET (SECOND FROM RIGHT)
AS SHOWN, WITH SELF TAPPING SCREWS.
CONNECT THE HOSE LEADING FROM THE PUMP.

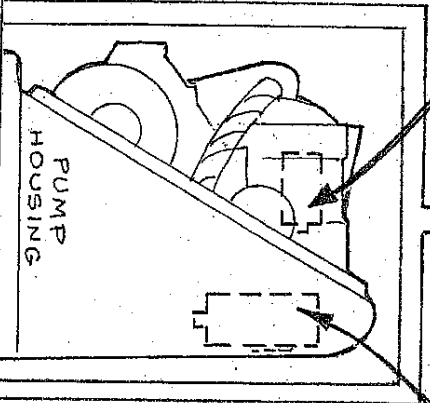
POSITION OF
ELECTRONICS



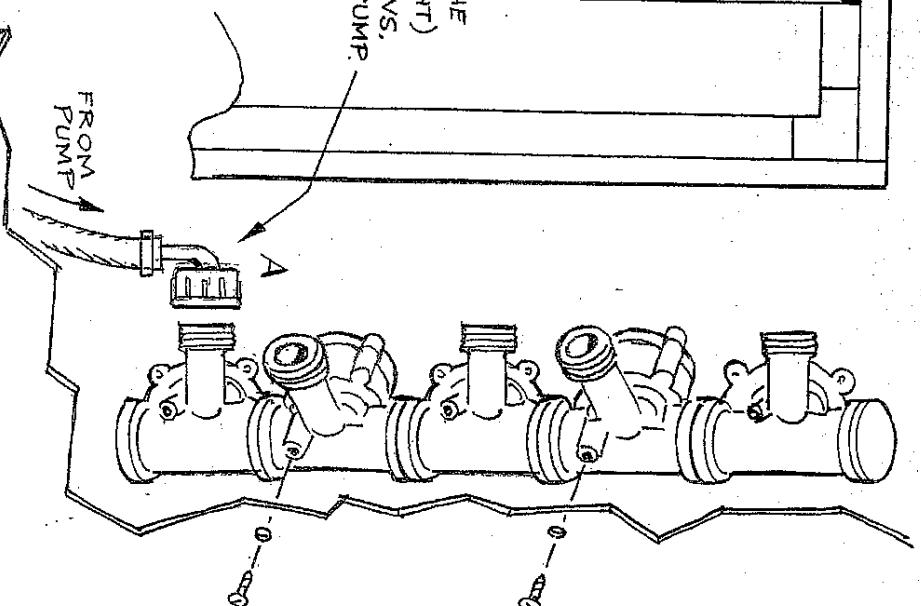
POSITION OF POWER
SUPPLY UNIT



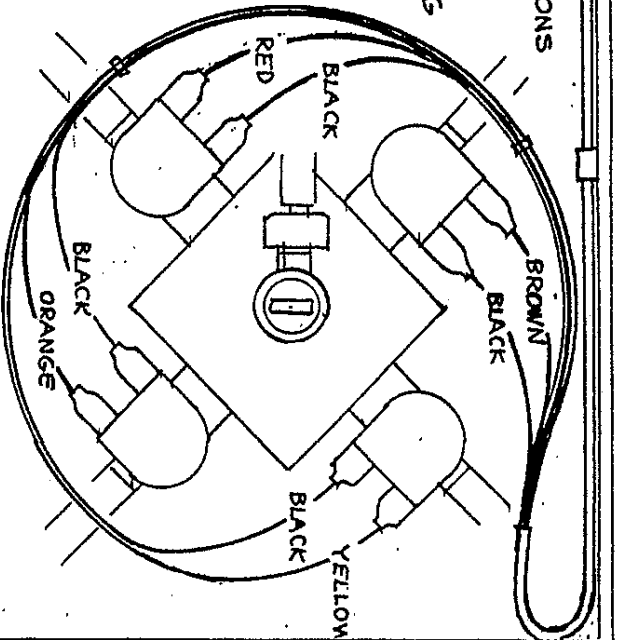
PUMP
HOUSING



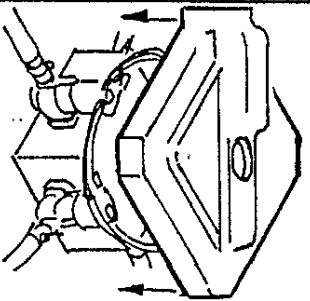
ANIMATION
BRACKET



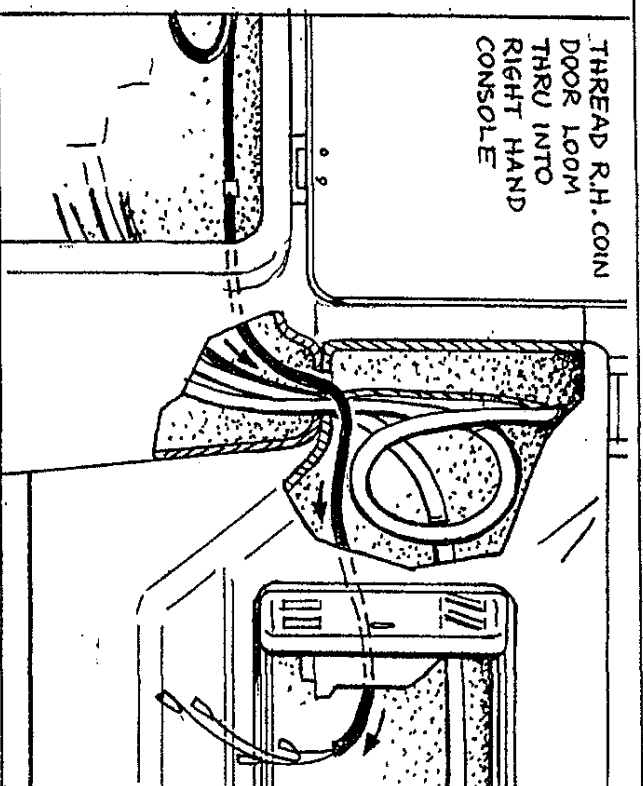
MAKE CONNECTIONS
TO SOLENOID
VALVES—SEE
COLOUR CODING



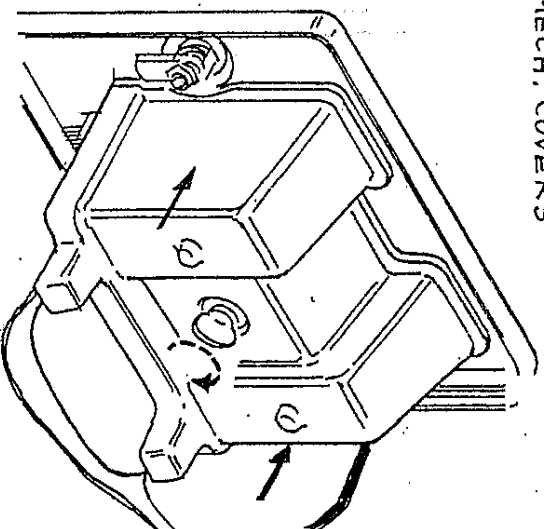
FIT SOLENOID
VALVE COVER



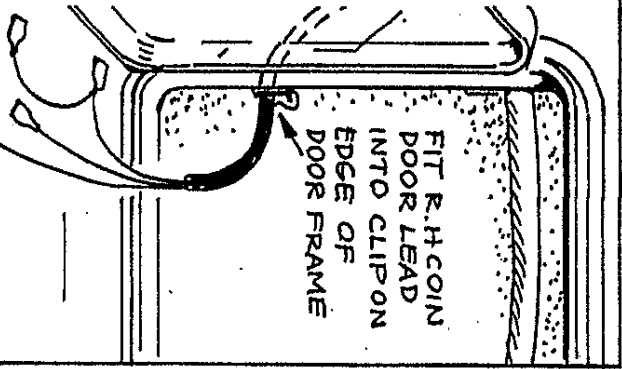
THREAD R.H. COIN
DOOR LOOM
THRU INTO
RIGHT HAND
CONSOLE



REPLACE COIN
MECH. COVERS

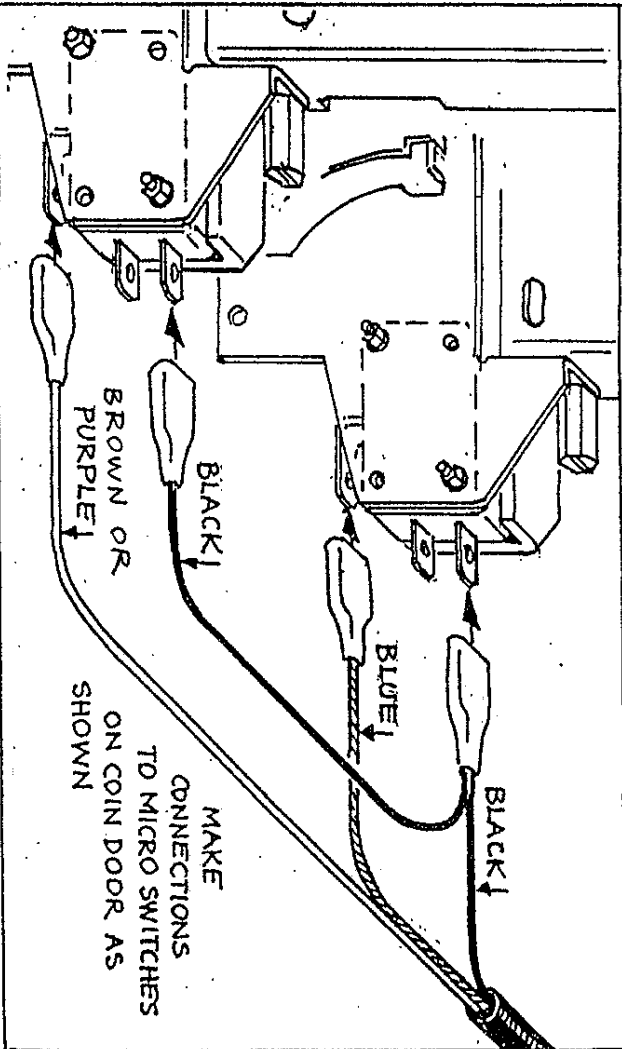


FIT R.H. COIN
DOOR LEAD
INTO CLIP ON
EDGE OF
DOOR FRAME



MAKE
CONNECTIONS
TO MICRO SWITCHES
ON COIN DOOR AS
SHOWN

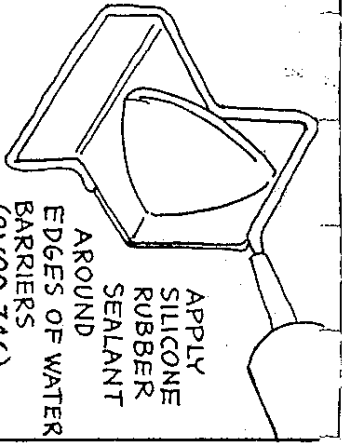
BLACK ↓
BLUE ↓
BROWN OR
PURPLE ↓



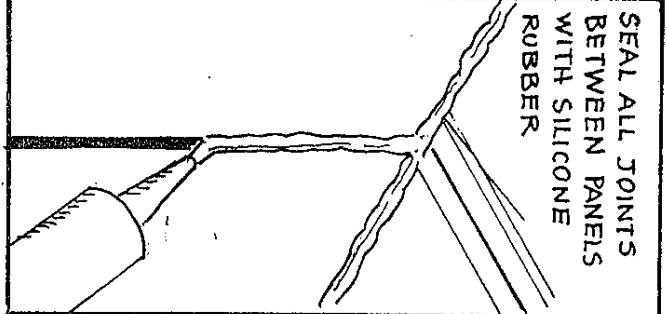
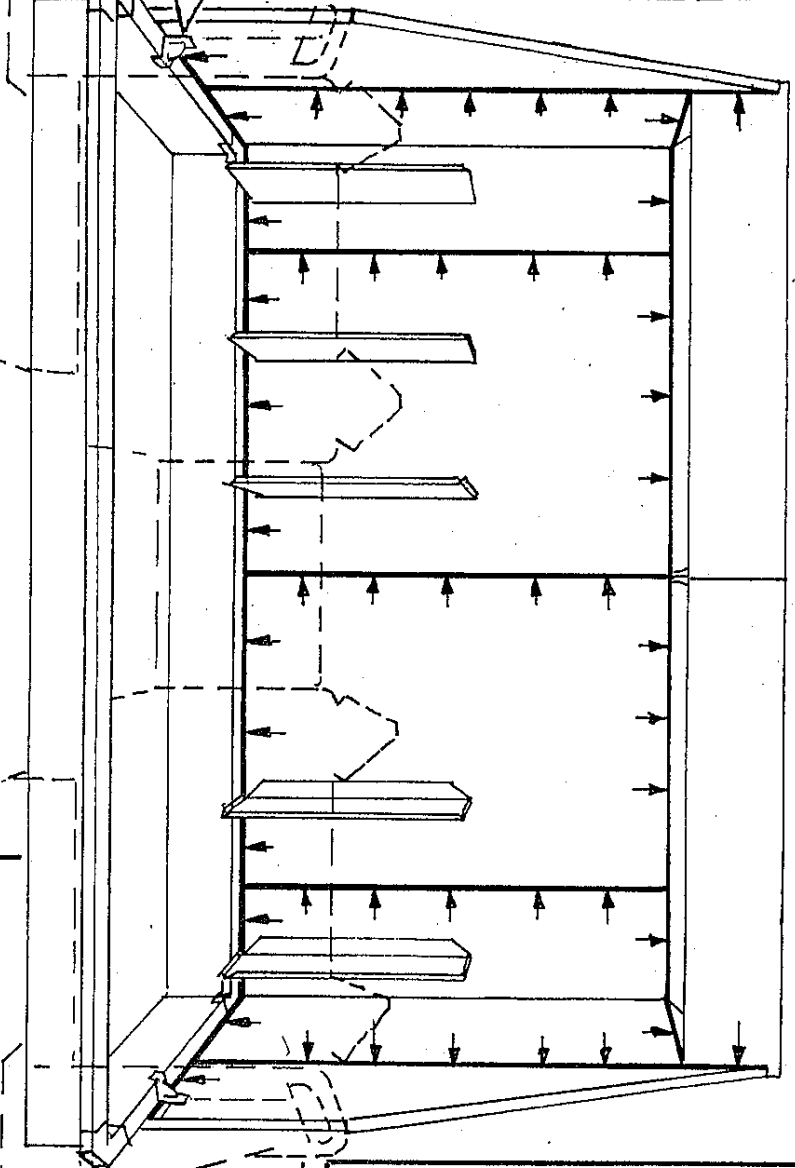
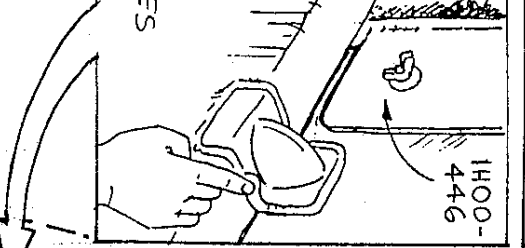
TORNADO

INTERNATIONAL

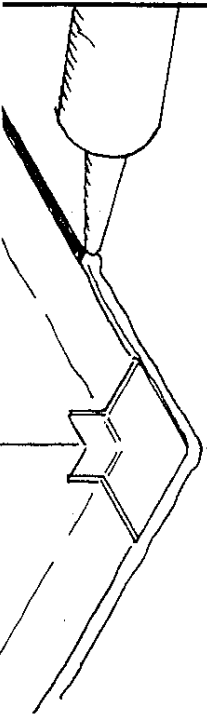
**ASSEMBLY INSTRUCTIONS
AQUA BLASTA FIRE**



POSITION BARRIERS ON SIDE OF POOL AND SMOOTH SILICONE SEALANT AROUND EDGES



SEAL JOINTS BETWEEN POOL & CABINET PANELS WITH SILICONE RUBBER



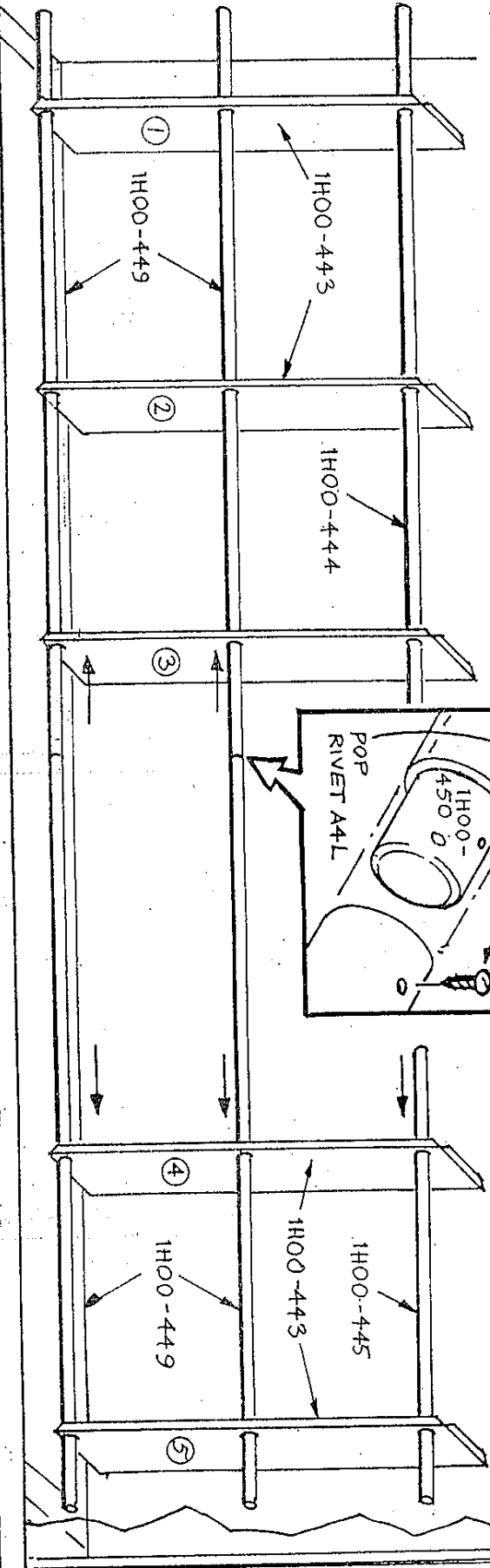
TORNADO

INTERNATIONAL

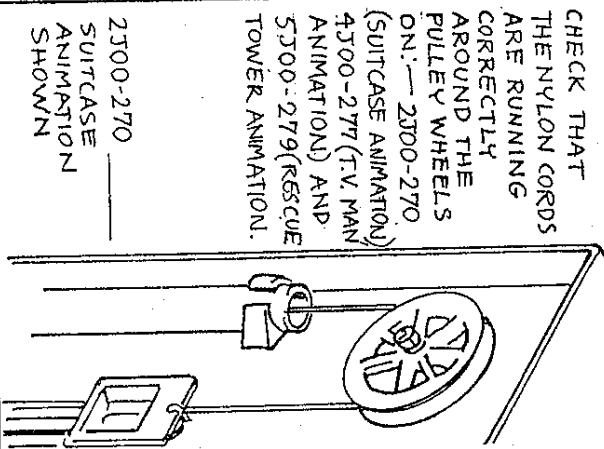
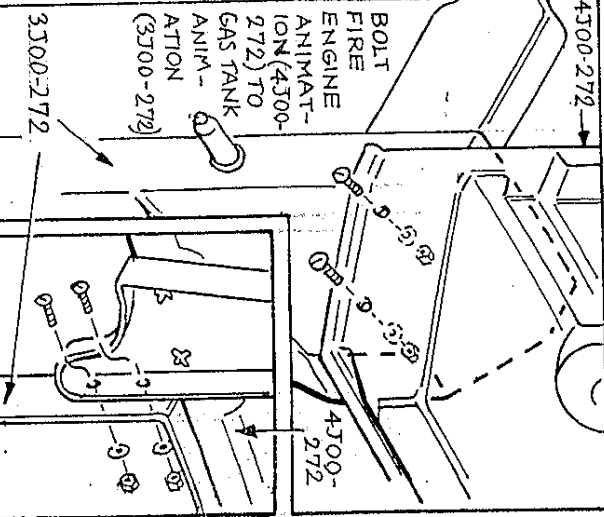
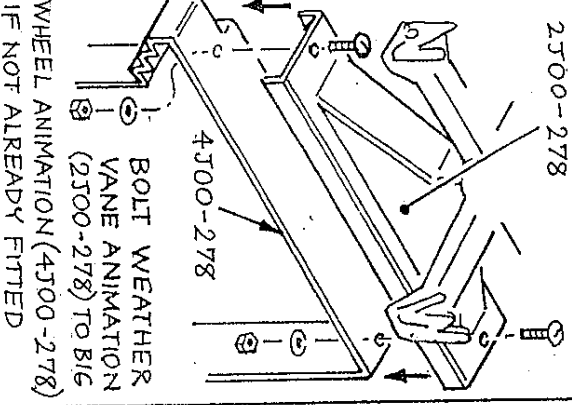
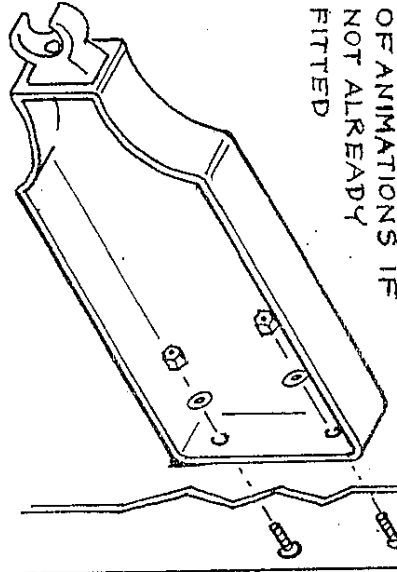
ASSEMBLY INSTRUCTIONS
AQUA BLASTA FIRE

SHEET 12

SLIDE ANIMATION SUPPORT RAILS THROUGH HOLES IN ANIMATION BRACKETS. JOIN LOWER FOOT RAILS AT CENTRE AS SHOWN



FIT MOUNTING BRACKETS (2V00-720) TO BOTTOM ROW OF ANIMATIONS IF NOT ALREADY FITTED

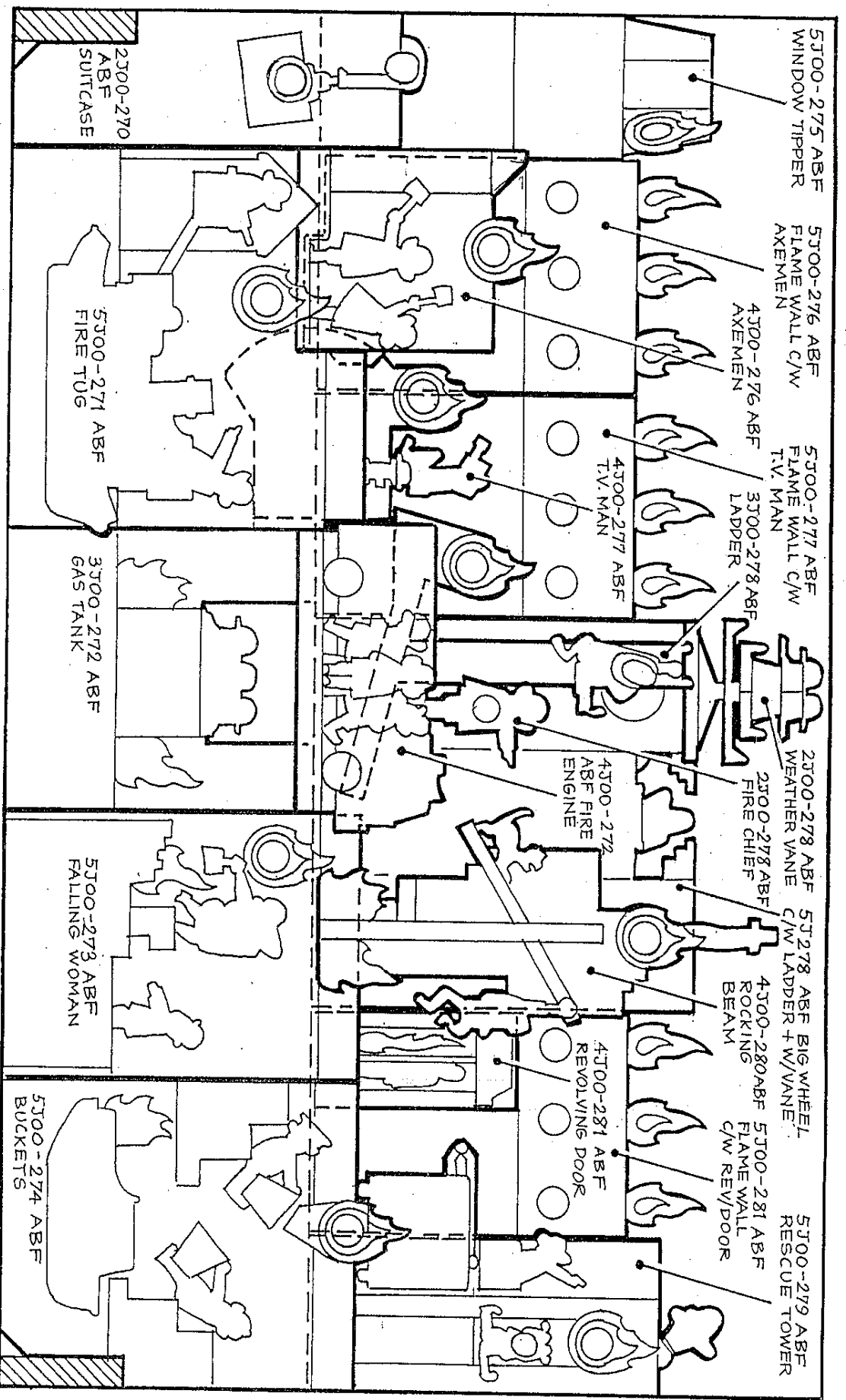


TORNADO

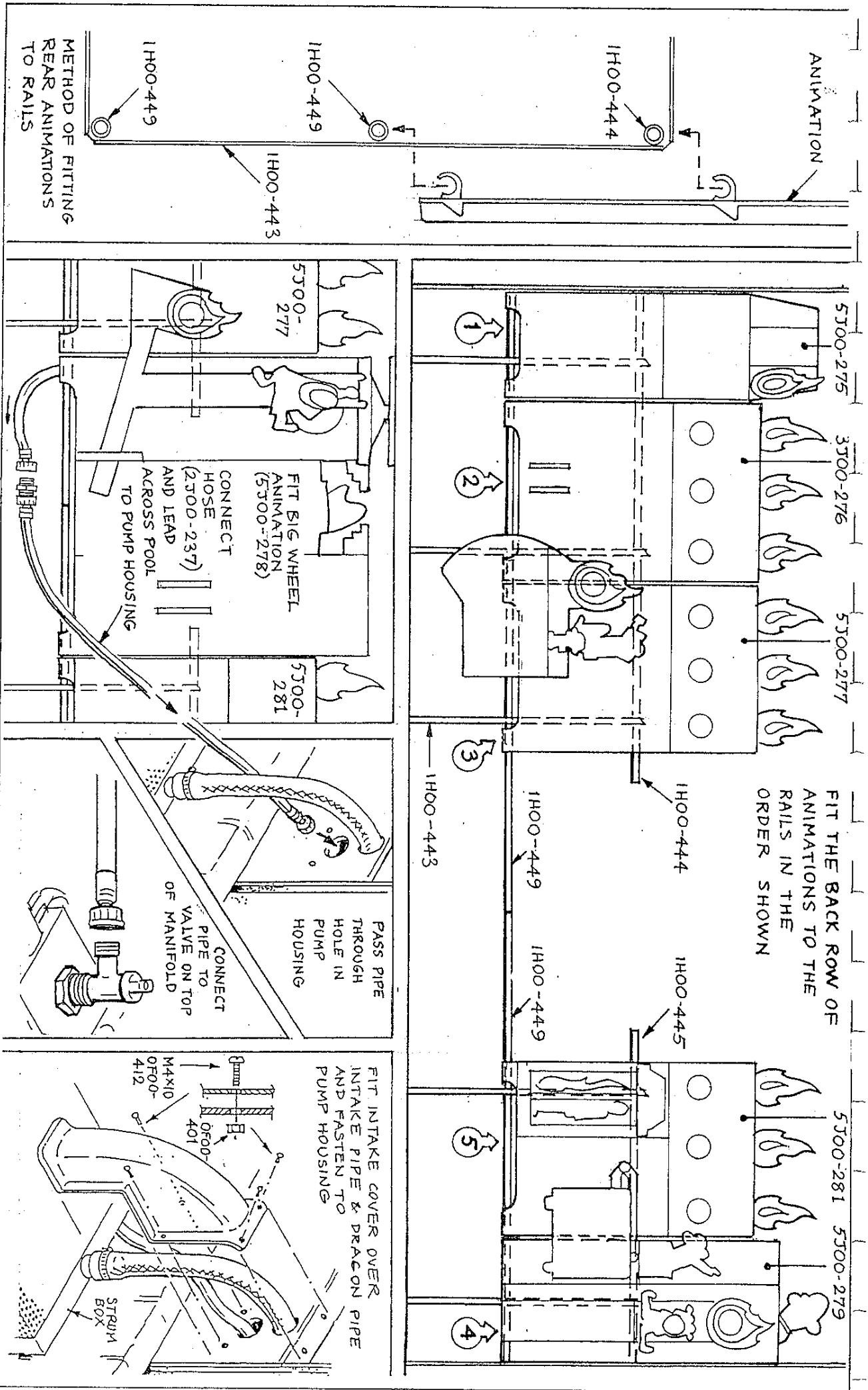
INTERNATIONAL

ASSEMBLY INSTRUCTIONS
AQUA BLASTA FIRE

SHEET 13



GENERAL ARRANGEMENT OF ANIMATIONS



FIT THE BACK ROW OF ANIMATIONS TO THE RAILS IN THE ORDER SHOWN

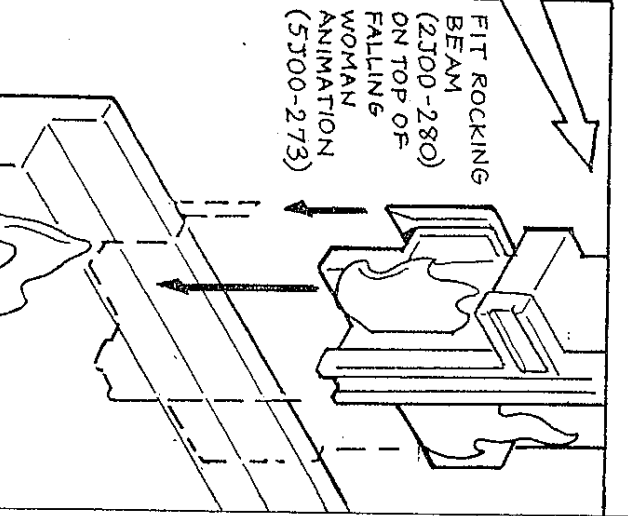
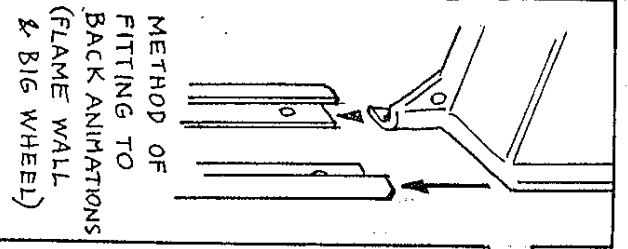
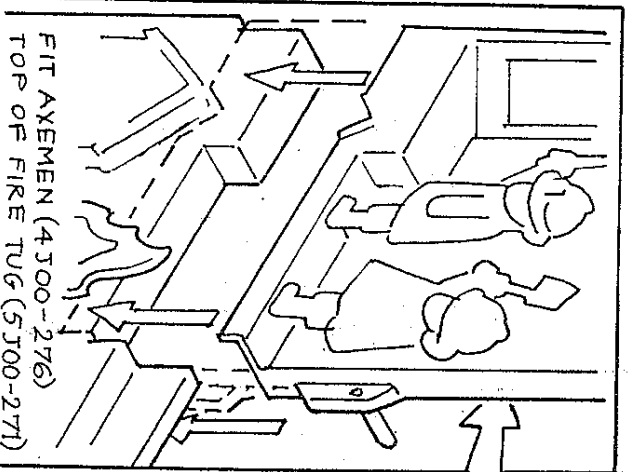
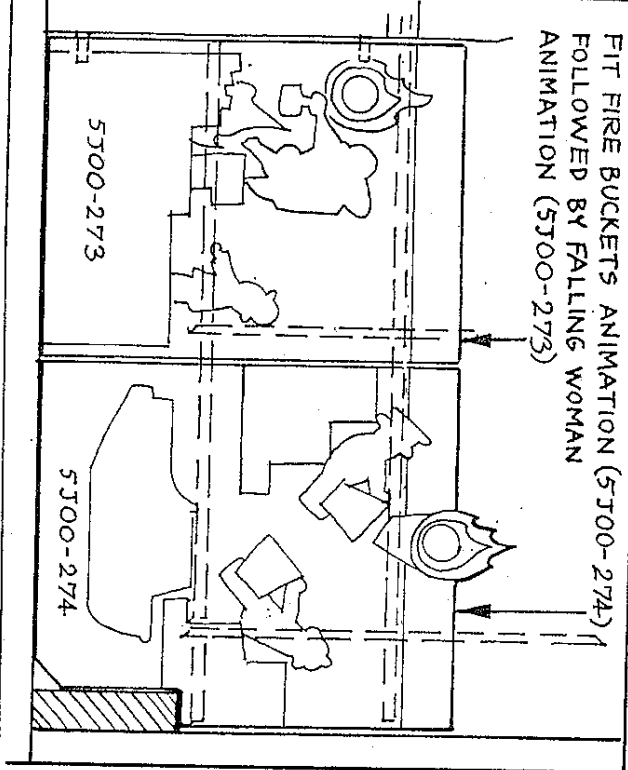
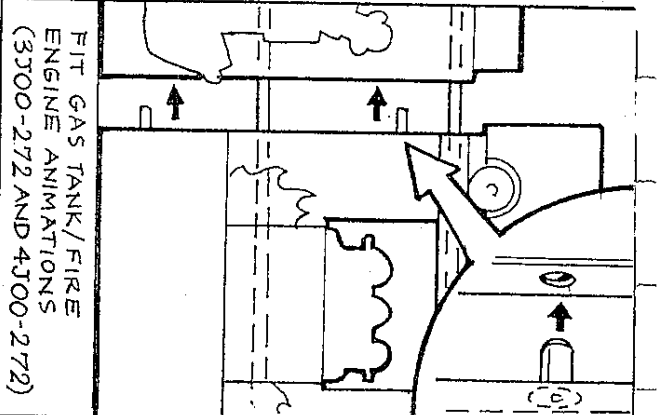
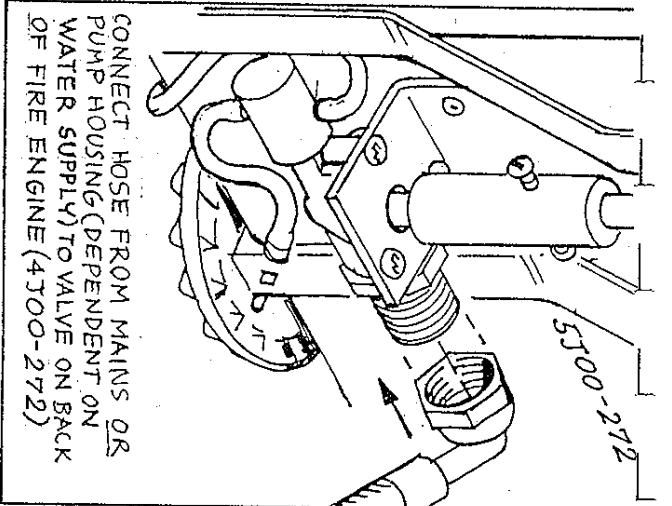
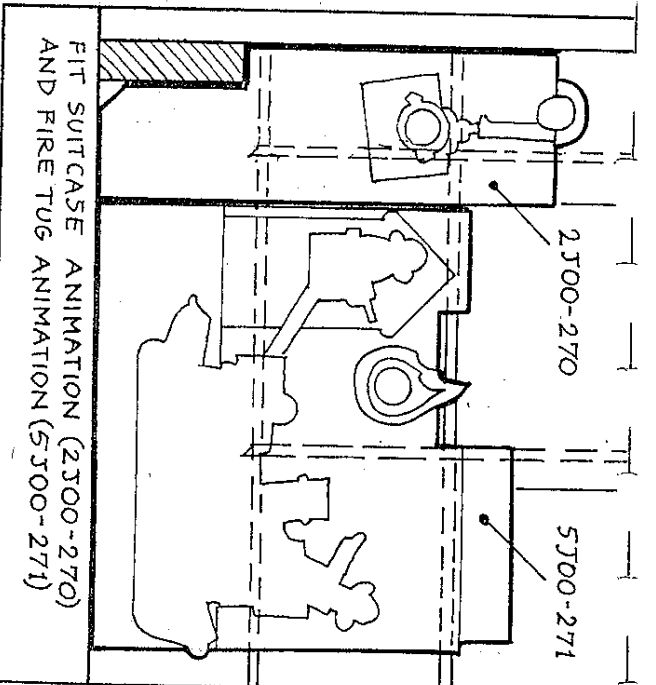
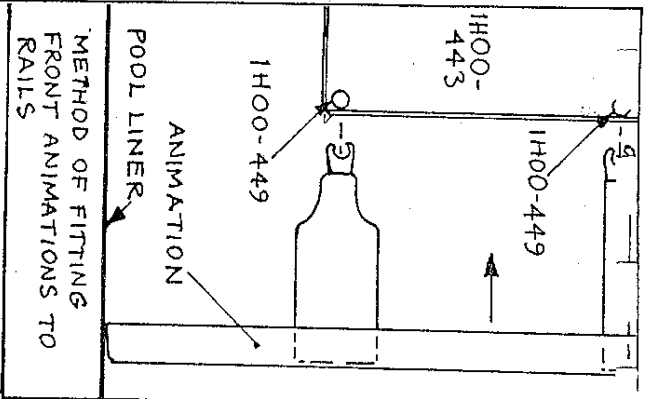
FIT INTAKE COVER OVER INTAKE PIPE & DRAGON PIPE AND FASTEN TO PUMP HOUSING

METHOD OF FITTING REAR ANIMATIONS TO RAILS

FIT BIG WHEEL ANIMATION (5300-278) CONNECT HOSE (2300-237) AND LEAD ACROSS POOL TO PUMP HOUSING

PASS PIPE THROUGH HOLE IN PUMP HOUSING

CONNECT PIPE TO VALVE ON TOP OF MANIFOLD



TORNADO

INTERNATIONAL

ASSEMBLY INSTRUCTIONS
AQUA BLASTA FIRE